

KFV

Locks

Timber

Window systems

Door systems

Comfort systems



Reprinting or reproduction of catalogue pages is not permitted without our written authorisation.

All article descriptions and technical specifications correspond to the state of our production on the date that this catalogue was published.

We reserve the right to make changes.

We assume no liability for printing errors and other errors.

November 2019



Security for your customers

“The Protection Company” – a statement that very much reflects our philosophy, defines our standards and expresses our commitment.

Fabricators and producers with high standards for security have depended on KFV for many years. Our products are used throughout the world.

And it is not just about locking doors. It is rather about giving people a feeling of safety and protection. In their own four walls. At events. And in the workplace. This is what we have in mind as we search today for the solutions of tomorrow.

As a company of the SIEGENIA Group, we analyse the requirements of the market together with our partner companies. We offer the highest level of support to our customers. And we find solutions that allow people to feel safe.

Rely on security. Rely on KFV.



General Information

Legend	6
Lock structure	7
Types of doors, groove formations	8
RH or LH orientation according to DIN 107	10
Classification key according to EN 12209	11
Requirement classes	12
Latch versions	13

Locks

Interior doors	15
104 1/2, 104	15
106 1/2	20
Interior and exterior doors	23
114 1/2, 114	23
Exterior and front doors	28
113 1/2, 113	28
Interior, exterior and front doors	35
115 1/2, 115	35
Interior and exterior doors	40
116 1/2	40
Exterior and front doors	43
154 1/2, 154	43
Properties and doors with increased use frequency	47
1133 1/2, 1133	47
Properties and doors with increased burglar resistance	53
63 1/2, 63	53
Properties and doors with increased burglar resistance and use frequency	56
65 1/2, 65	56
Special doors / deadbolts	60
205	60
211	62
Special doors / latches	64
429 1/2, 429	64
Swing doors	66
486	66
Glass doors	68
521 1/2, 521	68
Sliding doors	71
1609	71
1608 G	74
1650	76
1620	78
1621	81
1631	83
1632	86
Radiation protective doors	88
66 1/2, 66	88
Rust-proof locks	90
193 1/2	90



Table of contents

Striker plates

Striker plates for exterior and interior door locks	92
1	92
1-N	92
4 F	93
4F-F-N	93
4F-N	94
4-3-N	94
4-501-20N	95
4-501-28N	95
4-502-20N	96
4-502-28N	96
4-701N	97
5	97
5-N	98
5-01	98
5-01-N	99
5-01-F-N	99
Striker plates for front door and deadbolt locks	100
6	100
6-N	100
8	101
8-N	101
188	102
0211	102
Striker plates for deadbolt and latch locks	103
0429	103
0429-N	103
0430	104
Striker plates for roller bolt locks	105
0486	105
0488	105
0489	106
Striker plates for sliding door locks	107
0631	107
Striker plates for magnetic locks	108
116-2XX	108
116-120	108
2514-116	109

Keys

Keys	110
Facon 104	110
Facon 108	110
Facon 108 N	111
Facon 18	111

Accessories

Keys	112
360-2	112
900	112
901	113

Appendix

Instructions for use	114
Important production information regarding door locks	115



General Information

Legend



Skeleton key



prepared for profile cylinder



prepared for Swiss round cylinder



WC lock



Special locks

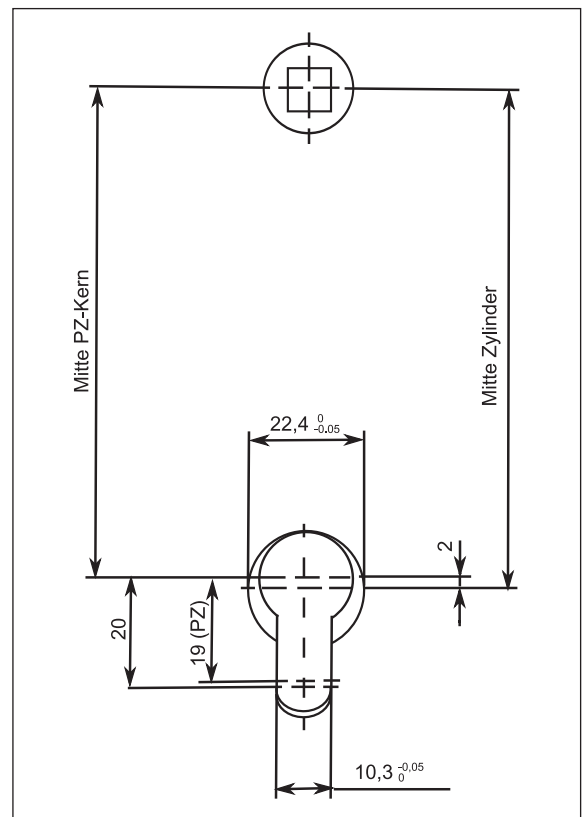
Swiss round cylinder

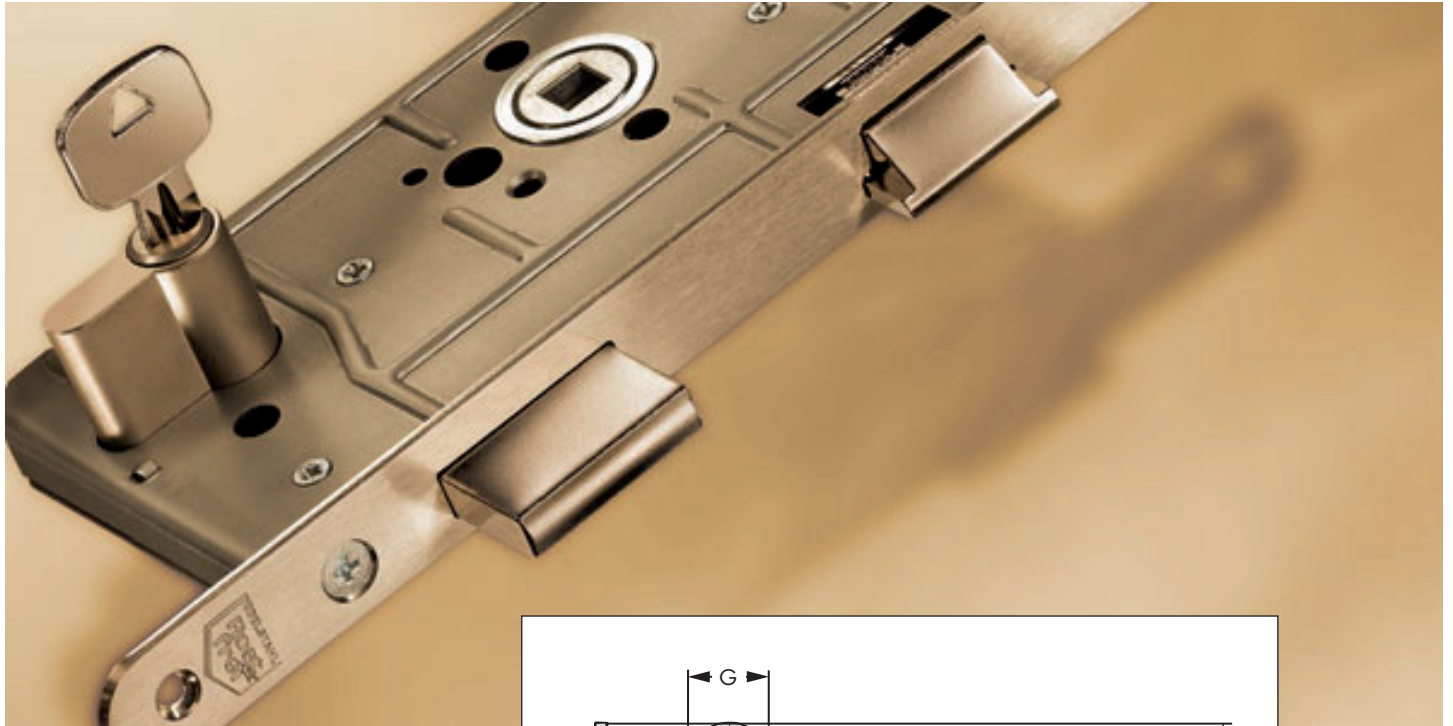
Device for Swiss round cylinder

(Swiss round cylinder, dimensions between centre line and radius of cam according to VSSB 20200, line 3)

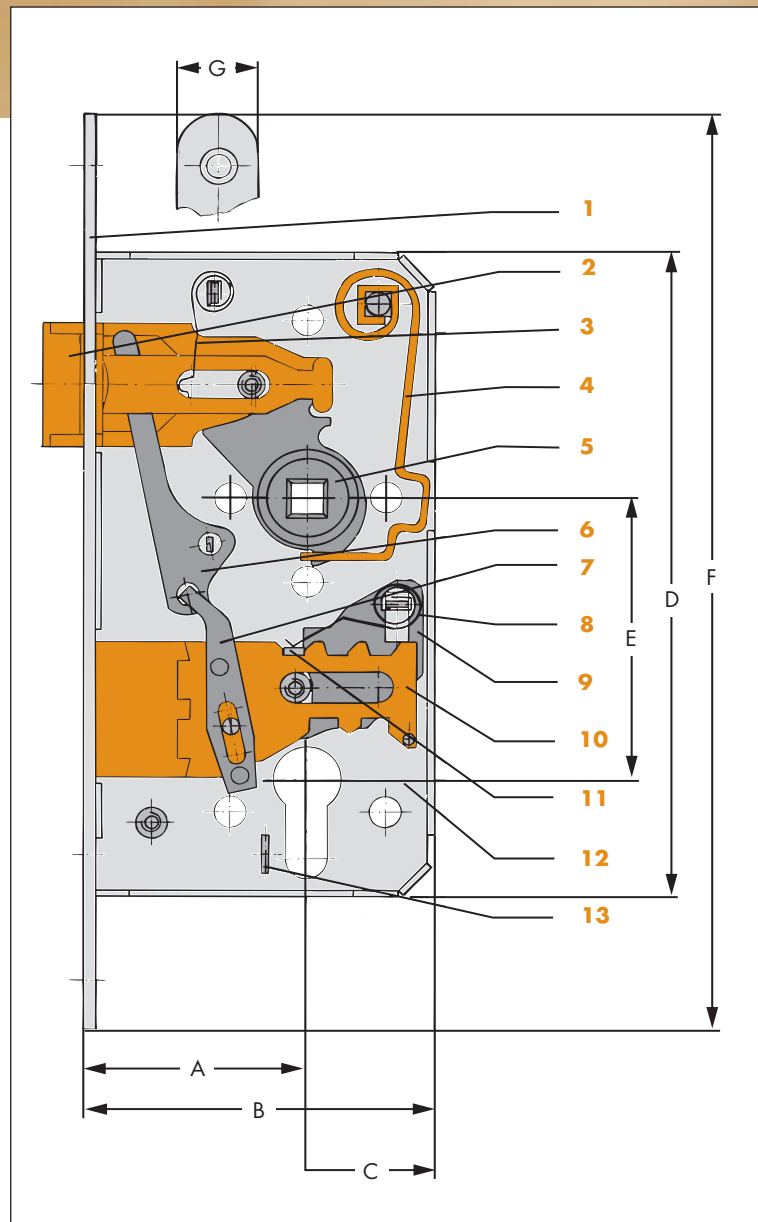
The PZ dimension from the centre of the handle spindle to the centre of the Swiss round cylinder is always 2 mm larger than the dimension from the centre of the handle spindle to the centre of the profile cylinder core, e.g. 74 instead of 72 mm or 94 instead of 92 mm.

The catch of the cylinder may need to be shortened by approx. 1 mm. The Fliethomatic plates or roses are not mounted until after the cylinder has been mounted using the cylinder fixing screw.





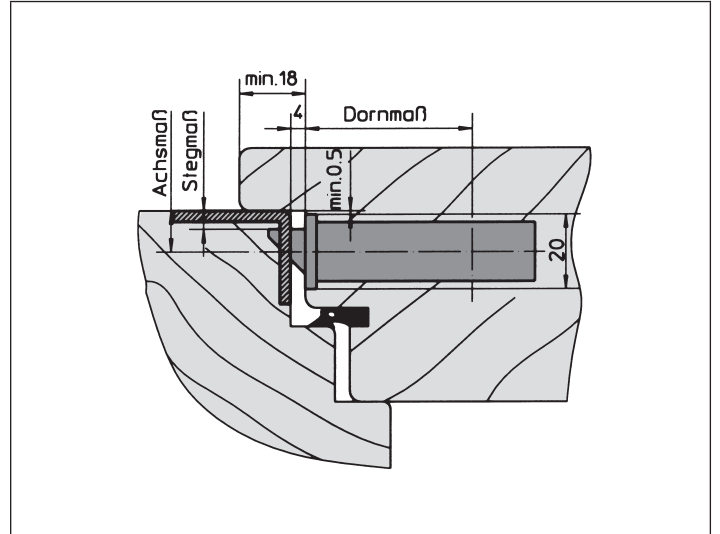
- Terms and definitions**
- 1** Faceplate
 - 2** Latch
 - 3** Latch bolt spring
 - 4** Handle spring
 - 5** Nut
 - 6** Latch lever
 - 7** Latch lever pressure piece
 - 8** Tumbler spring
 - 9** Tumbler
 - 10** Deadbolt
 - 11** Bolt stump
 - 12** Lock case cover
 - 13** Guide for cylinder fixing screw
-
- A Backset
 - B Case width
 - C Rear backset
 - D Case height
 - E PZ dimension
 - F Shield length
 - G Face plate width



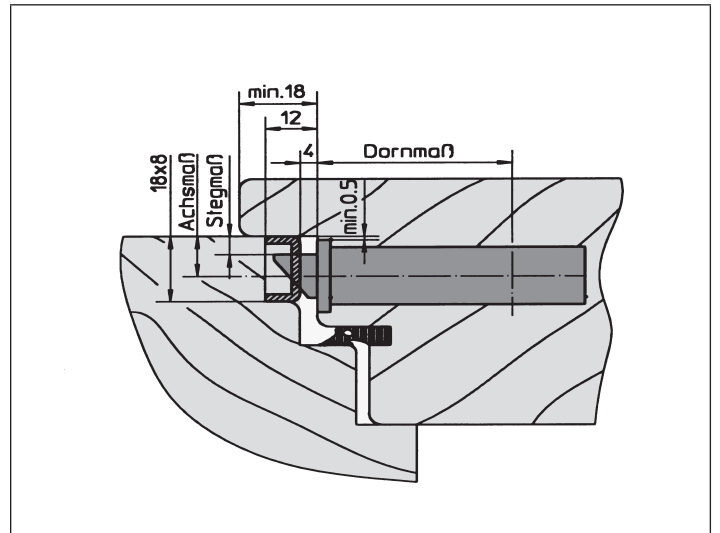


General Information

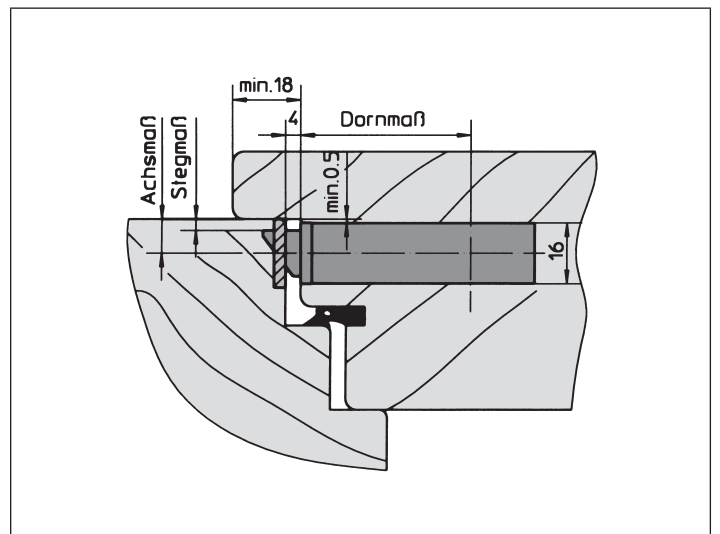
Types of doors, groove formations



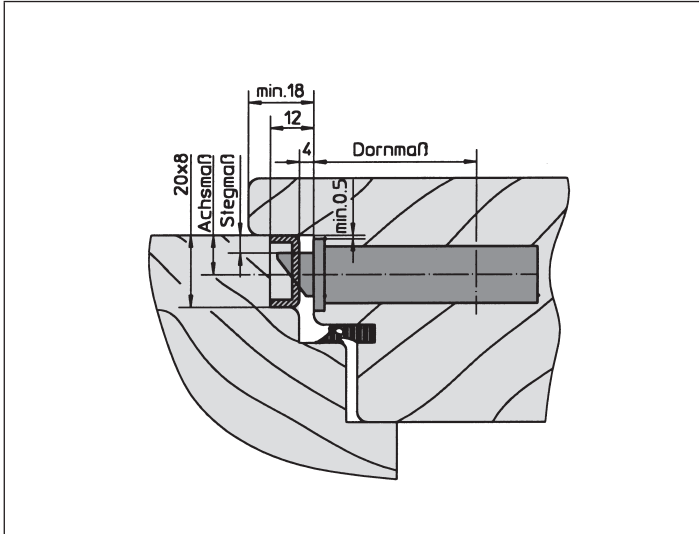
Rebated timber door with Euro groove 7/8 x 4 mm and 6/8 x 4 mm.



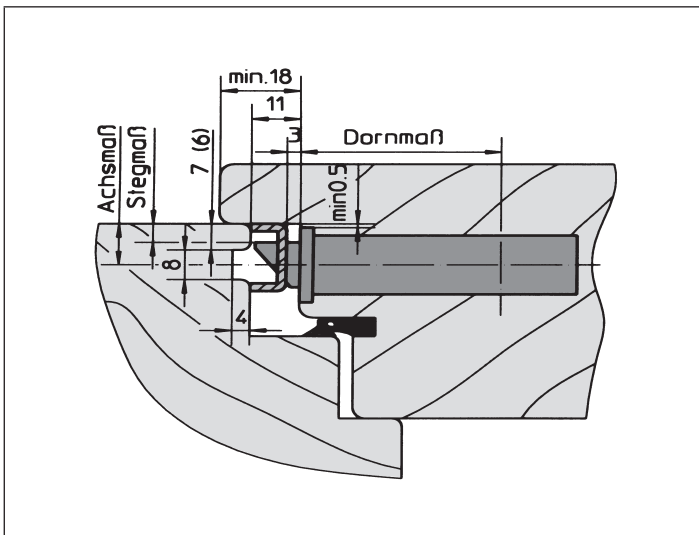
Rebated timber door, 4 mm airgap, door lock with 20 mm face plate width.



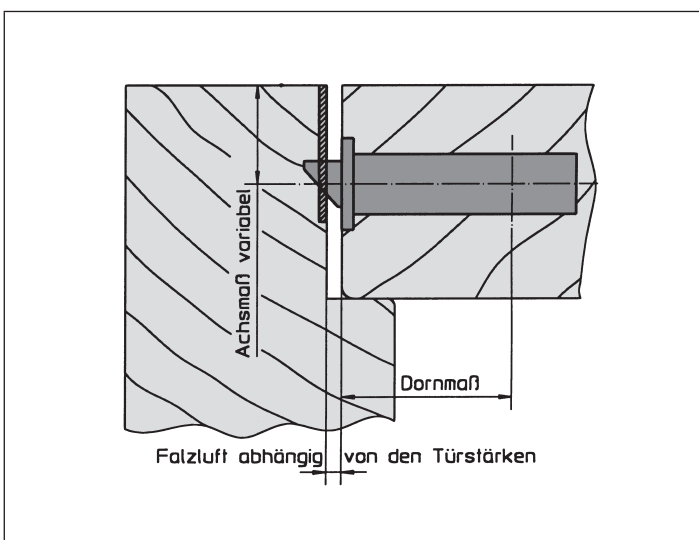
Rebated timber door with Euro rebate 20 x 8 mm.



Rebated timber door, 4 mm airgap, door lock with 16 mm face plate width.



Rebated timber door with Euro rebate 18 x 8 mm.



Flush-closing timber door.



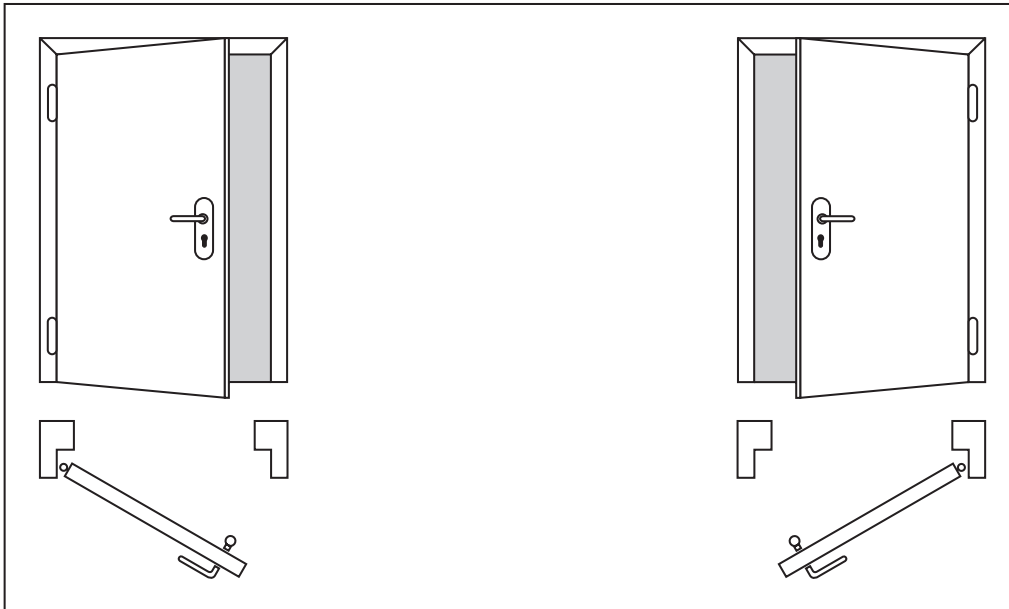


General Information

RH or LH orientation according to DIN 107

Single-sash doors

Determination of the direction of the door side on which the hinges are visible: visible seat of the door hinges (DIN RH), visible seat of the hinges left (DIN LH).

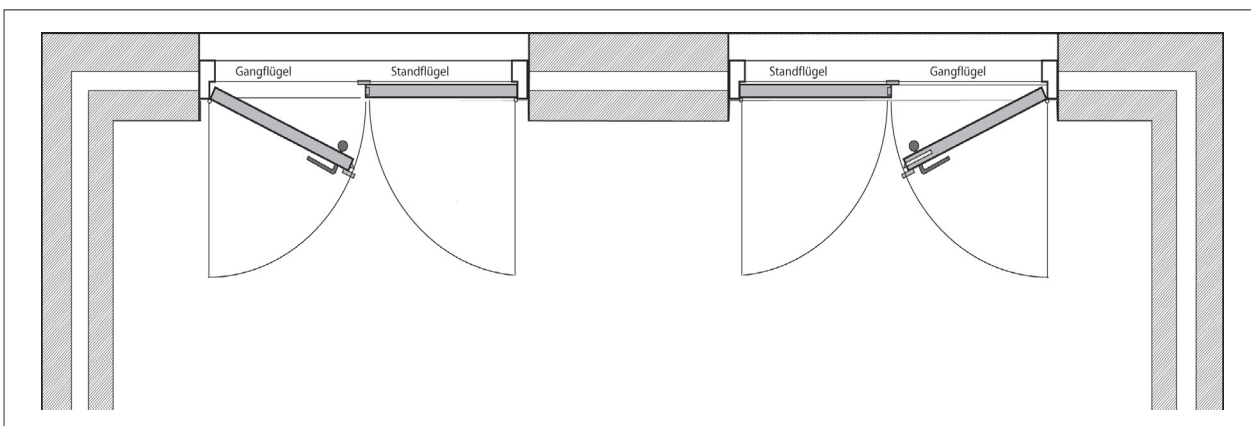


DIN LH

DIN RH

Double-sash doors

The initially opening door sash (active sash) is decisive for the determination of the direction of double-sash doors. Just as with single-sash doors, the door side on which the hinges are visible is what determines the direction designation. The accessory parts of the secondary opening sash (inactive sash) are oriented to the direction of the active sash.



DIN LH

DIN RH



Classification index

Our locks are certified according to EN 12209. In each case, the key code is marked on the first page of the certified products. You can easily find out the corresponding categories and requirements using the table below.

Utilisation category						1	
1 =	Great care	Low	Probability of misuse				
2 =	Medium care	Medium					
3 =	Low care	High					
Continuous functional capability						2	
A	F				50,000 latch operations; 10,000 deadbolt operations		
B	G	L	R	W	100,000 latch operations; 25,000 deadbolt operations		
C	H	M	S	X	200,000 latch operations; 50,000 deadbolt operations		
0	10	25	50	120	Latch test load in N		
Door weight and closing force						3	
1	4	7	up to 100 kg				
2	5	8	up to 200 kg				
3	6	9	Over 200 kg				
50	25	15	Max. closing force in N				
Suitability for use in smoke- and fire-rated doors						4	
0 =	No suitability according to EN 1634-1 proven						
1 =	Suitability according to EN 1634-1 proven						
Personal safety						5	
0 =	No requirements						
Corrosion resistance and temperature						6	
0 =	No requirements						
A =	Low corrosion resistance, no temperature requirement						
B =	Medium corrosion resistance, no temperature requirement			E =	B + temperature requirement (-20 °C to 80 °C)		
C =	High corrosion resistance, no temperature requirement			F =	C + temperature requirement (-20 °C to 80 °C)		
D =	Very high corrosion resistance, no temperature requirement			G =	D + temperature requirement (-20 °C to 80 °C)		
Burglar resistance and drill resistance						7	
1 =	Minimum protective effect						
2 =	Low protective effect						
3 =	Medium protective effect						
4 =	High protective effect			5 =	4 + drill protection deadbolt		
6 =	Extremely high protective effect			7 =	6 + drill protection deadbolt		
Door-related use range						8	
A =	without restrictions						
B =	Swing doors						
C =	Sliding doors						
D =	Swing doors, additional support required						
Type of key operation						9	
O			Not applicable				
A	B	C	for cylinder lock				
D	E	F	Tumbler lock				
G	H		without key activation				
Manual	Automatic	Multi-throw					
Type of handle operation						10	
0 =	Without nut						
1 =	Spring in the hardware			max. 0.5 Nm			
2 =	Restoring torque on the nut min. 0.6 Nm			max. 3 Nm			
3 =				max. 5 Nm			
4 =				According to manufacturer's specification			
Requirement for key identification						11	
0 =	No requirements						
A =	Min. 3 tumblers			Min. 100 lock variants			
B =	Min. 5 tumblers			Min. 1,000 lock variants			
C =				Min. 10,000 lock variants			



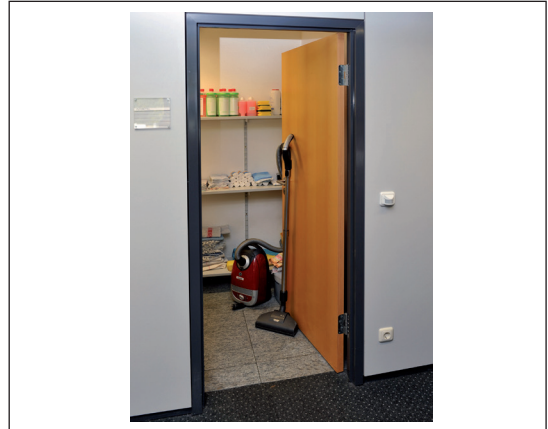
General Information

Requirement classes

Class 1

For doors that are opened only **occasionally** and with care.

e.g. storerooms



Class 2

For doors that are opened **regularly** and with care.

e.g. office doors



Class 3

For doors that are opened **frequently** and in part with a high degree of force.

e.g. doors in public buildings



Class 4

For doors that are opened **very often** and in part roughly.

e.g. doors with increased burglar resistance and doors in public buildings.





Low-friction latch

Latch nickel-plated, crank part made from PVC or metal.

Direction specification required.

For a 65mm backset and a secondary sash width of at least 20 mm, a crank part with greater outreach is used. A relief cut must be made in the lock mortise case for this.



Swing door roller latch

Adjustable, with roller of 11.6 mm Ø or 14 mm Ø.

Roller of 11.6 mm Ø - available with locks with a secondary sash width of 16 mm.



Soft lock latch

With noise-reducing, sturdy PVC attachment on the latch and noise absorbers in the internal design of the locks.



Magnetic latch

Latch is flush with the lock faceplate when the door is open. When the door is closed, the latch is drawn into the frame part by a magnet. Thus the latch cannot strike the frame profile, resulting in a quieter closing process of the door.





General Information

Latch versions



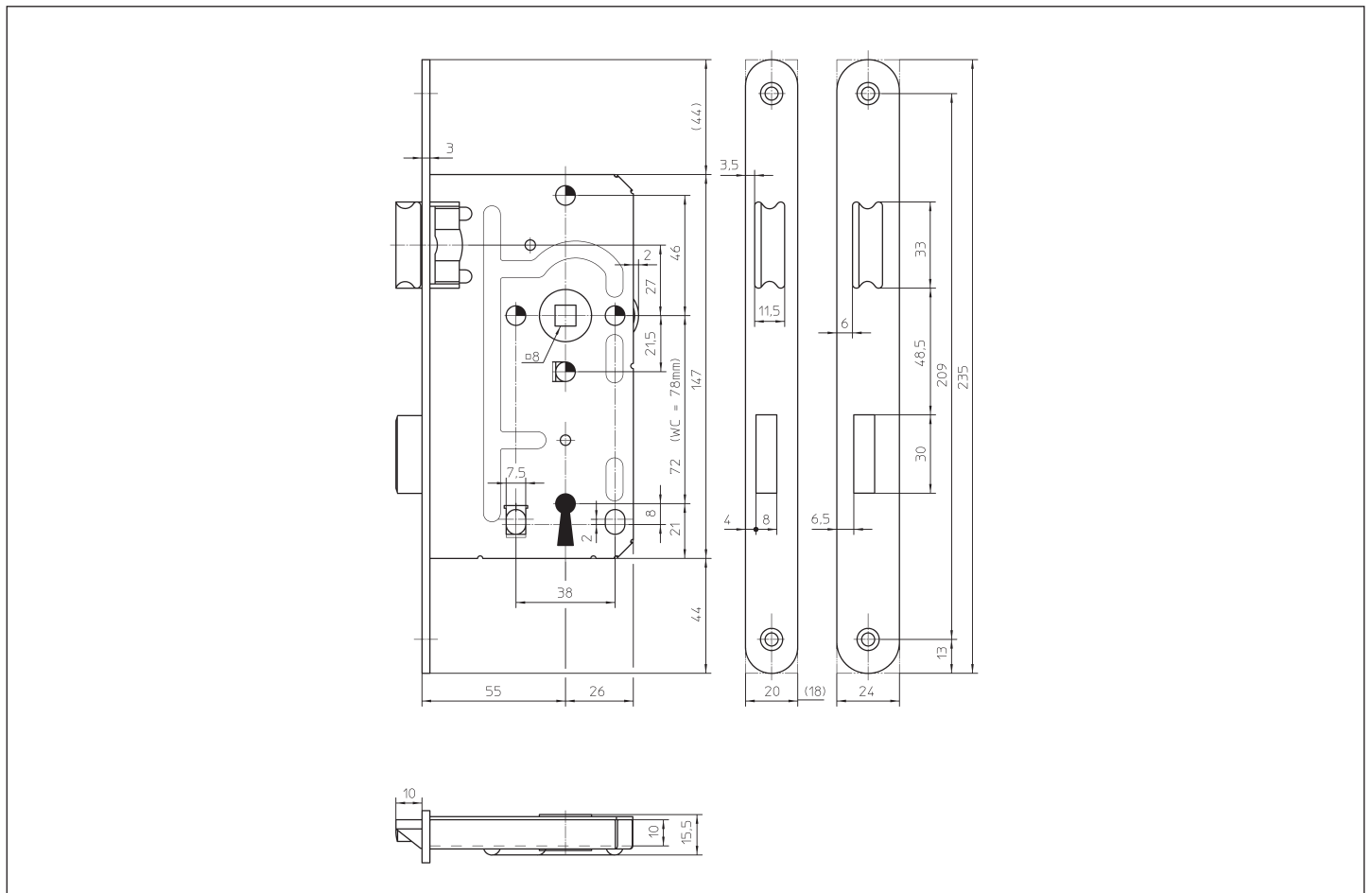
104 1/2, 104

Mortise lock for lightweight interior doors



Article	For flush doors	For rebated doors DIN 18251-1	Classification according to EN 12209
104 1/2 BB		Class 1	1B700C1BD20
104 1/2 WC		Class 1	1B700C1BG20
104 BB	X		1B700C1BD20
104 WC	X		1B700C1BG20

Version
Closed zinc-plated lock case.





Locks

Interior doors



104 1/2 BB for rebated doors, Delrin latch and deadbolt

Skeleton key lock with 1 key - facon 104 with key stop, single-throw deadbolt.

Backset	PZ dimension	Spindle square	Face plate width	Shield length	Rounded	Angular	Direction	Face plate surface	Striker plate	Version	Material group	Material number
55	72	8	18	235	X		LS	GE 1356 antique silver lacquered	without		98	3288246
55	72	8	18	235	X		RS	GE 1356 antique silver lacquered	without		98	3299003
55	72	8	18	235	X		LS	GE 1356 antique silver lacquered	without	20 pieces loose in outer packaging	92	3368118
55	72	8	18	235	X		RS	GE 1356 antique silver lacquered	without	20 pieces loose in outer packaging	92	3368120
55	72	8	18	235	X		LS	Brushed matt stainless steel	without		92	3168787
55	72	8	18	235	X		RS	Brushed matt stainless steel	without		92	3168786
55	72	8	18	235		X	LS	GE 1356 antique silver lacquered	without		98	3316028
55	72	8	18	235		X	RS	GE 1356 antique silver lacquered	without		98	3316029
55	72	8	20	235	X		LS	GE 1356 antique silver lacquered	without		98	3273656
55	72	8	20	235	X		LS	GE 1356 antique silver lacquered	without		92	3305853
55	72	8	20	235	X		RS	GE 1356 antique silver lacquered	without		98	3273657
55	72	8	20	235	X		RS	GE 1356 antique silver lacquered	without		92	3318006
55	72	8	20	235	X		LS	GE 1356 antique silver lacquered	without	20 pieces loose in outer packaging	98	3325063
55	72	8	20	235	X		RS	GE 1356 antique silver lacquered	without	20 pieces loose in outer packaging	98	3325062
55	72	8	20	235	X		LS	RAL 9016 coated	without		92	3158061
55	72	8	20	235	X		RS	RAL 9016 coated	without		92	3158060
55	72	8	20	235	X		LS	RAL 9016 coated	without	50 pieces loose in outer packaging	92	3252160
55	72	8	20	235	X		RS	RAL 9016 coated	without	50 pieces loose in outer packaging	92	3252161
55	72	8	20	235		X	LS	GE 1356 antique silver lacquered	without		98	3315177
55	72	8	20	235		X	RS	GE 1356 antique silver lacquered	without		98	3317784



104 1/2, WC for rebated doors, Delrin latch and deadbolt

Version for bathrooms with 8 mm spindle square, single-throw deadbolt.

Backset	PZ dimension	Spindle square	Face plate width	Shield length	Rounded	Angular	Direction	Face plate surface	Striker plate	Version	Material group	Material number
55	78	8	18	235	X		LS	GE 1356 antique silver lacquered	without		98	3291222
55	78	8	18	235	X		RS	GE 1356 antique silver lacquered	without		98	3291223
55	78	8	18	235	X		LS	GE 1356 antique silver lacquered	without	50 pieces loose in outer packaging	92	3325176
55	78	8	18	235	X		RS	GE 1356 antique silver lacquered	without	50 pieces loose in outer packaging	92	3325177
55	78	8	20	235	X		LS	GE 1356 antique silver lacquered	without		98	3278663
55	78	8	20	235	X		RS	GE 1356 antique silver lacquered	without		98	3277451
55	78	8	20	235	X		LS	GE 1356 antique silver lacquered	without	20 pieces loose in outer packaging	98	3358055

WC

104 1/2, WC for rebated doors, Delrin latch and deadbolt

Version for bathrooms with 8 mm spindle square, single-throw deadbolt.

Backset	PZ dimension	Spindle square	Face plate width	Shield length	Rounded	Angular	Direction	Face plate surface	Striker plate	Version	Material group	Material number
55	78	8	20	235	X		RS	GE 1356 antique silver lacquered	without	20 pieces loose in outer packaging	98	3358054
55	78	8	20	235	X		LS	RAL 9016 coated	without		92	3236359
55	78	8	20	235	X		RS	RAL 9016 coated	without		92	3236360
55	78	8	20	235		X	LS	GE 1356 antique silver lacquered	without		92	3322214
55	78	8	20	235		X	RS	GE 1356 antique silver lacquered	without		92	3322213



104 1/2 BB for rebated doors, metal latch and deadbolt

Skeleton key lock with 1 key - facon 104 with key stop, single-throw deadbolt.

Backset	PZ dimension	Spindle square	Face plate width	Shield length	Rounded	Angular	Direction	Face plate surface	Striker plate	Version	Material group	Material number
55	72	8	18	235	X		LS	GE 1356 antique silver lacquered	without		98	3319016
55	72	8	18	235	X		RS	GE 1356 antique silver lacquered	without		98	3319017
55	72	8	18	235		X	LS	GE 1356 antique silver lacquered	without		98	3317662
55	72	8	18	235		X	RS	GE 1356 antique silver lacquered	without		98	3364512
55	72	8	20	235	X		LS	GE 1356 antique silver lacquered	without		98	3282033
55	72	8	20	235	X		RS	GE 1356 antique silver lacquered	without		98	3299917
55	72	8	20	235	X		LS	Brushed matt stainless steel	without		98	3100825
55	72	8	20	235	X		RS	Brushed matt stainless steel	without		98	3100892
55	72	8	20	235	X		LS	RAL 9016 coated	without		92	3241831
55	72	8	20	235	X		RS	RAL 9016 coated	without		92	3241830
55	72	8	20	235		X	LS	GE 1356 antique silver lacquered	without		98	3312748
55	72	8	20	235		X	RS	GE 1356 antique silver lacquered	without		98	3313065



Locks

Interior doors



104 1/2 WC for rebated doors, metal latch and deadbolt

Version for bathrooms with 8 mm spindle square, single-throw deadbolt.

Backset	PZ dimension	Spindle square	Face plate width	Shield length	Rounded	Angular	Direction	Face plate surface	Striker plate	Version	Material group	Material number
55	78	8	18	235	X		LS	GE 1356 antique silver lacquered	without		98	3300233
55	78	8	18	235	X		RS	GE 1356 antique silver lacquered	without		98	3297617
55	78	8	18	235		X	LS	GE 1356 antique silver lacquered	without		98	3364513
55	78	8	18	235		X	RS	GE 1356 antique silver lacquered	without		98	3359753
55	78	8	20	235	X		LS	GE 1356 antique silver lacquered	without		98	3298902
55	78	8	20	235	X		RS	GE 1356 antique silver lacquered	without		98	3298903
55	78	8	20	235	X		LS	Brushed matt stainless steel	without		98	3100624
55	78	8	20	235	X		RS	Brushed matt stainless steel	without		98	3100678
55	78	8	20	235	X		LS	RAL 9016 coated	without		92	3231981
55	78	8	20	235	X		RS	RAL 9016 coated	without		92	3241579
55	78	8	20	235		X	LS	GE 1356 antique silver lacquered	without		98	3313069
55	78	8	20	235		X	RS	GE 1356 antique silver lacquered	without		98	3313068



104 1/2 BB for rebated doors, Delrin latch, metal deadbolt

Skeleton key lock with 1 key - facon 104 with key stop, single-throw deadbolt.

Backset	PZ dimension	Spindle square	Face plate width	Shield length	Rounded	Angular	Direction	Face plate surface	Striker plate	Version	Material group	Material number
55	72	8	18	235	X		LS	Brushed matt stainless steel	without		92	3299687
55	72	8	18	235	X		RS	Brushed matt stainless steel	without		92	3287147



104 BB for flush doors, Delrin latch and deadbolt

Skeleton key lock with 1 key - facon 104 with key stop, single-throw deadbolt.

Backset	PZ dimension	Spindle square	Face plate width	Shield length	Rounded	Angular	Direction	Face plate surface	Striker plate	Version	Material group	Material number
55	72	8	24	235	X		LS	GE 1356 antique silver lacquered	without		98	3316137
55	72	8	24	235	X		RS	GE 1356 antique silver lacquered	without		98	3316138
55	72	8	24	235		X	LS	GE 1356 antique silver lacquered	without		92	3340736
55	72	8	24	235		X	RS	GE 1356 antique silver lacquered	without		92	3340735

WC

104 WC for flush doors, Delrin latch and bolt

Version for bathrooms with 8 mm spindle square, single-throw deadbolt.

Backset	PZ dimension	Spindle square	Face plate width	Shield length	Rounded	Angular	Direction	Face plate surface	Striker plate	Version	Material group	Material number
55	78	8	24	235	X		LS	GE 1356 antique silver lacquered	without		92	3324848
55	78	8	24	235	X		RS	GE 1356 antique silver lacquered	without		92	3324849
55	78	8	24	235		X	LS	GE 1356 antique silver lacquered	without		92	3320294
55	78	8	24	235		X	RS	GE 1356 antique silver lacquered	without		92	3340737

 104 BB

104 BB for flush doors, metal latch and deadbolt

Skeleton key lock with 1 key - facon 104 with key stop, single-throw deadbolt.

Backset	PZ dimension	Spindle square	Face plate width	Shield length	Rounded	Angular	Direction	Face plate surface	Striker plate	Version	Material group	Material number
55	72	8	24	235	X		LS	GE 1356 antique silver lacquered	without		98	3330167
55	72	8	24	235	X		RS	GE 1356 antique silver lacquered	without		98	3330166
55	72	8	24	235	X		LS	Brushed matt stainless steel	without		98	3101214
55	72	8	24	235	X		RS	Brushed matt stainless steel	without		98	3101244
55	72	8	24	235		X	LS	GE 1356 antique silver lacquered	without		98	3313067
55	72	8	24	235		X	RS	GE 1356 antique silver lacquered	without		98	3313066

WC

104 WC for flush doors, metal latch and deadbolt

Version for bathrooms with 8 mm spindle square, single-throw deadbolt.

Backset	PZ dimension	Spindle square	Face plate width	Shield length	Rounded	Angular	Direction	Face plate surface	Striker plate	Version	Material group	Material number
55	78	8	24	235	X		LS	GE 1356 antique silver lacquered	without		98	3316310
55	78	8	24	235	X		RS	GE 1356 antique silver lacquered	without		98	3316309
55	78	8	24	235	X		LS	Brushed matt stainless steel	without		98	3101164
55	78	8	24	235	X		RS	Brushed matt stainless steel	without		98	3101187
55	78	8	24	235		X	LS	GE 1356 antique silver lacquered	without		98	3367874
55	78	8	24	235		X	RS	GE 1356 antique silver lacquered	without		98	3369614



Suitable striker plates

For rebated doors									
Article	Striker plate type				Version				
	Angle striker plate	Flanged striker	U-profile striker plate	Flat striker	Angular	Rounded	Can be used DIN LH/DIN RH	with compression lobe	with PVC backing
104 1/2									
1	X				X	X	X		
1-N	X				X	X	X	X	
4-3-N	X				X		X	X	
4-501-20N			X		X		X	X	X
4-501-28N			X		X		X	X	X
4-502-20N			X		X		X	X	X
4-502-28N			X		X		X	X	X
4-701N				X		X	X	X	
4F	X				X		X		X
4F-N	X				X		X	X	X

For flush doors									
Article	Striker plate type				Version				
	Angle striker plate	Flanged striker	U-profile striker plate	Flat striker	Angular	Rounded	Can be used DIN LH/DIN RH	with compression lobe	with PVC backing
104									
5		X			X	X			
5-01		X			X	X	X		
5-01-N		X				X	X	X	
5-N		X			X	X	X	X	



Locks

Interior doors



106 1/2 BB for rebated doors

Skeleton key lock with 1 key facon 106 without latch lever, single-throw deadbolt.

Backset	PZ dimension	Spindle square	Face plate width	Shield length	Rounded	Angular	Direction	Face plate surface	Striker plate	Version	Material group	Material number
55	72	8	16	235	X		LS	GE 1356 antique silver lacquered	without		92	3324933
55	72	8	16	235	X		RS	GE 1356 antique silver lacquered	without		92	3324932
55	72	8	16	235		X	LS	GE 1356 antique silver lacquered	without		98	3333640
55	72	8	16	235		X	RS	GE 1356 antique silver lacquered	without		98	3317610



106 1/2 WC for rebated doors

Version for bathrooms with 8 mm spindle square, single-throw deadbolt.

Backset	PZ dimension	Spindle square	Face plate width	Shield length	Rounded	Angular	Direction	Face plate surface	Striker plate	Version	Material group	Material number
55	78	8	16	235	X		LS	GE 1356 antique silver lacquered	without		92	3315148
55	78	8	16	235	X		RS	GE 1356 antique silver lacquered	without		92	3315149
55	78	8	16	235	X		LS	Brushed matt stainless steel	without		92	3101329
55	78	8	16	235	X		RS	Brushed matt stainless steel	without		92	3101341
55	78	8	16	235		X	LS	GE 1356 antique silver lacquered	without		92	3367820
55	78	8	16	235		X	RS	GE 1356 antique silver lacquered	without		92	3361168



Suitable striker plates

For rebated doors								
Article	Striker plate type				Version			
	Angle striker plate	Flanged striker	U-profile striker plate	Flat striker	Angular	Rounded	Can be used DIN LH/DIN RH	with compression lobe with PVC backing
106 1/2								
1	X				X	X	X	
1-N	X				X	X	X	X
4-3-N	X				X		X	X
4-501-20N			X		X		X	X
4-501-28N			X		X		X	X
4-502-20N			X		X		X	X
4-502-28N			X		X		X	X
4-701N				X		X	X	
4F	X				X		X	X
4F-N	X				X		X	X



Locks

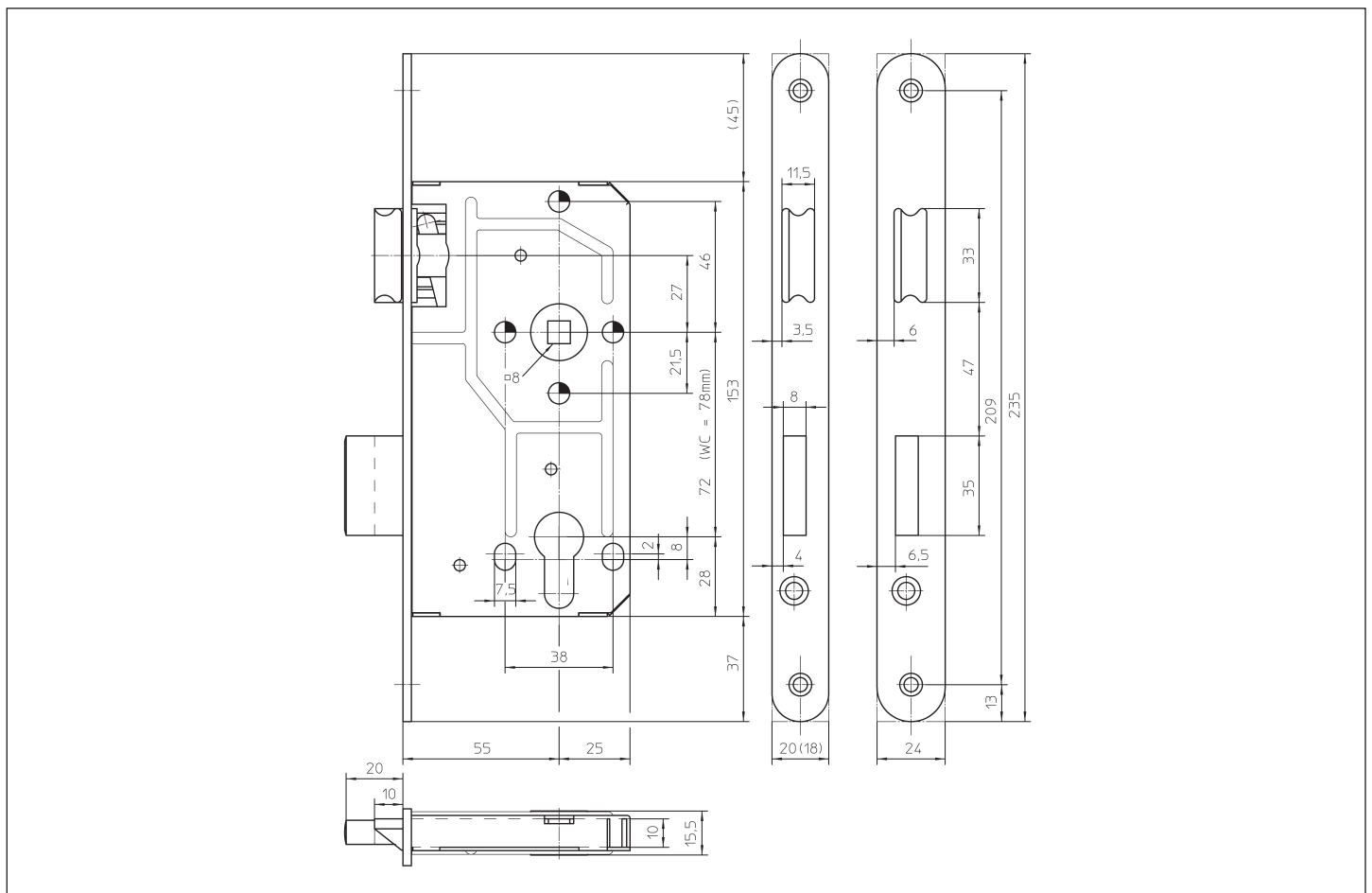
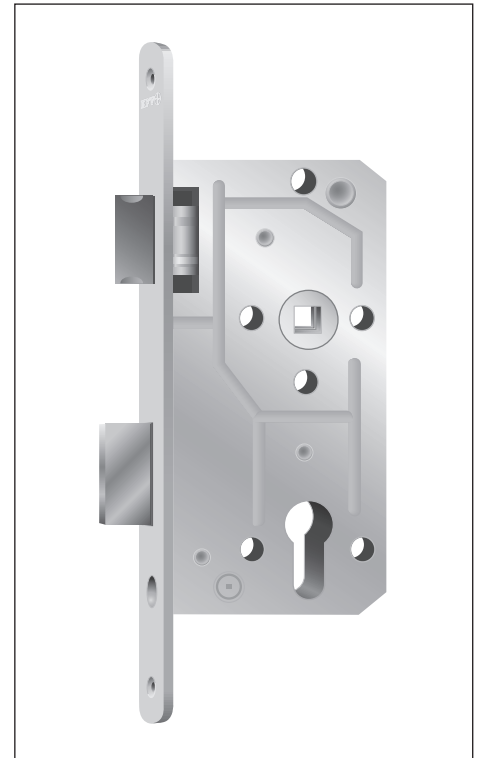
Interior and exterior doors

114 1/2, 114 Mortise lock for interior doors



Article	For flush doors	For rebated doors DIN 18251-1	Classification according to EN 12209
114 1/2 PZW		Class 2	2B700C1BC20
114 1/2 BB		Class 2	2B700C1BD20
114 1/2 WC		Class 2	2B700C1BG20
114 PZW	X		2B700C1BC20
114 BB	X		2B700C1BD20
114 WC	X		2B700C1BG20

Version
 Reinforced deadbolt, bright zinc-plated latch and deadbolt,
 Closed zinc-plated lock case,
 8 mm clamping spindle.



Locks

Interior and exterior doors



114 1/2 PZW for rebated doors, Delrin latch, metal deadbolt

prepared for profile cylinder, with lever latch, double-throw deadbolt.

Backset	PZ dimension	Spindle square	Face plate width	Shield length	Rounded	Angular	Direction	Face plate surface	Striker plate	Version	Material group	Material number
55	72	8	20	235	X		LS	GE 1356 antique silver lacquered	without	Delrin latch	92	3337613
55	72	8	20	235	X		RS	GE 1356 antique silver lacquered	without	Delrin latch	92	3330089



114 1/2 PZW for rebate doors, metal latch and deadbolt

prepared for profile cylinder, with lever latch, double-throw deadbolt.

Backset	PZ dimension	Spindle square	Face plate width	Shield length	Rounded	Angular	Direction	Face plate surface	Striker plate	Version	Material group	Material number
55	72	8	18	235	X		LS	GE 1356 antique silver lacquered	without		98	3301442
55	72	8	18	235	X		RS	GE 1356 antique silver lacquered	without		98	3301441
55	72	8	18	235	X		LS	GE 1356 antique silver lacquered	without	With softlock latch	92	3398527
55	72	8	18	235	X		RS	GE 1356 antique silver lacquered	without	With softlock latch	92	3401367
55	72	8	18	235	X		LS	Brushed matt stainless steel	without		98	3104748
55	72	8	18	235	X		RS	Brushed matt stainless steel	without		98	3104777
55	72	8	18	235	X		LS	Brushed matt stainless steel	without	With softlock latch	92	3400328
55	72	8	18	235	X		RS	Brushed matt stainless steel	without	With softlock latch	92	3401249
55	72	8	18	235		X	LS	GE 1356 antique silver lacquered	without		92	3315341
55	72	8	18	235		X	RS	GE 1356 antique silver lacquered	without		92	3315178
55	72	8	20	235	X		LS	GE 1356 antique silver lacquered	without		98	3297153
55	72	8	20	235	X		RS	GE 1356 antique silver lacquered	without		98	3297154
55	72	8	20	235	X		LS	GE 1356 antique silver lacquered	without	With softlock latch	98	3395790
55	72	8	20	235	X		RS	GE 1356 antique silver lacquered	without	With softlock latch	98	3397228
55	72	8	20	235	X		LS	Polished brass	without		92	3104762
55	72	8	20	235	X		RS	Polished brass	without		92	3104791
55	72	8	20	235	X		LS	Brushed matt stainless steel	without		98	3104758
55	72	8	20	235	X		RS	Brushed matt stainless steel	without		98	3104787
55	72	8	20	235	X		LS	Brushed matt stainless steel	without	With softlock latch	98	3404866
55	72	8	20	235	X		RS	Brushed matt stainless steel	without	With softlock latch	98	3405075
55	72	8	20	235	X		LS	RAL 9016 coated	without		92	3230668
55	72	8	20	235	X		RS	RAL 9016 coated	without		92	3230667
55	72	8	20	235		X	LS	GE 1356 antique silver lacquered	without		98	3311723
55	72	8	20	235		X	RS	GE 1356 antique silver lacquered	without		98	3311738



Locks

Interior and exterior doors



114 1/2 BB for rebated doors

Skeleton key lock with 1 key facon 104 without latch lever, double-throw deadbolt.

Backset	PZ dimension	Spindle square	Face plate width	Shield length	Rounded	Angular	Direction	Face plate surface	Striker plate	Version	Material group	Material number
55	72	8	18	235	X		LS	GE 1356 antique silver lacquered	without		92	3335069
55	72	8	18	235	X		RS	GE 1356 antique silver lacquered	without		92	3335070
55	72	8	18	235	X		LS	Polished brass	without		92	3104669
55	72	8	18	235	X		RS	Polished brass	without		92	3104695
55	72	8	18	235	X		LS	Brushed matt stainless steel	without		92	3104668
55	72	8	18	235	X		RS	Brushed matt stainless steel	without		92	3104694
55	72	8	18	235	X		LS	Brushed matt stainless steel	without	With softlock latch	92	3400326
55	72	8	18	235	X		RS	Brushed matt stainless steel	without	With softlock latch	92	3400327
55	72	8	20	235	X		LS	GE 1356 antique silver lacquered	without		98	3317147
55	72	8	20	235	X		RS	GE 1356 antique silver lacquered	without		98	3312736
55	72	8	20	235	X		LS	GE 1356 antique silver lacquered	without	With softlock latch	98	3391065
55	72	8	20	235	X		RS	GE 1356 antique silver lacquered	without	With softlock latch	98	3399160
55	72	8	20	235	X		LS	Polished brass	without		92	3104679
55	72	8	20	235	X		RS	Polished brass	without		92	3104705
55	72	8	20	235	X		LS	Brushed matt stainless steel	without		98	3104675
55	72	8	20	235	X		RS	Brushed matt stainless steel	without		98	3104701
55	72	8	20	235	X		LS	Brushed matt stainless steel	without	With softlock latch	98	3400329
55	72	8	20	235	X		RS	Brushed matt stainless steel	without	With softlock latch	98	3400330
55	72	8	20	235	X		LS	RAL 9016 coated	without		92	3240831
55	72	8	20	235	X		RS	RAL 9016 coated	without		92	3240830
55	72	8	20	235		X	LS	GE 1356 antique silver lacquered	without		92	3359201
55	72	8	20	235		X	RS	GE 1356 antique silver lacquered	without		92	3359203



114 1/2 WC for rebated doors, Delrin latch, metal deadbolt

Version for bathrooms with 8 mm spindle square, 10.5 mm single-throw deadbolt projection.

Backset	PZ dimension	Spindle square	Face plate width	Shield length	Rounded	Angular	Direction	Face plate surface	Striker plate	Version	Material group	Material number
55	78	8	18	235	X		LS	GE 1356 antique silver lacquered	without	Delrin latch	92	3458899
55	78	8	18	235	X		RS	GE 1356 antique silver lacquered	without	Delrin latch	92	3400665



WC

114 1/2 WC for rebated doors, metal latch and deadbolt

Version for bathrooms with 8 mm spindle square, 10.5 mm single-throw deadbolt projection.

Backset	PZ dimension	Spindle square	Face plate width	Shield length	Rounded	Angular	Direction	Face plate surface	Striker plate	Version	Material group	Material number
55	78	8	18	235	X		LS	GE 1356 antique silver lacquered	without		92	3337533
55	78	8	18	235	X		RS	GE 1356 antique silver lacquered	without		92	3337534
55	78	8	18	235	X		LS	Polished brass	without		92	3104601
55	78	8	18	235	X		RS	Polished brass	without		92	3104624
55	78	8	18	235	X		LS	Brushed matt stainless steel	without	With softlock latch	92	3402533
55	78	8	18	235	X		RS	Brushed matt stainless steel	without	With softlock latch	92	3401250
55	78	8	20	235	X		LS	GE 1356 antique silver lacquered	without		98	3309426
55	78	8	20	235	X		RS	GE 1356 antique silver lacquered	without		98	3309427
55	78	8	20	235	X		LS	GE 1356 antique silver lacquered	without	With softlock latch	98	3399784
55	78	8	20	235	X		RS	GE 1356 antique silver lacquered	without	With softlock latch	98	3399785
55	78	8	20	235	X		LS	Brushed matt stainless steel	without		92	3104608
55	78	8	20	235	X		RS	Brushed matt stainless steel	without		92	3104631
55	78	8	20	235	X		LS	Brushed matt stainless steel	without	With softlock latch	98	3400331
55	78	8	20	235	X		RS	Brushed matt stainless steel	without	With softlock latch	98	3400332
55	78	8	20	235	X		LS	RAL 9016 coated	without		92	3230669
55	78	8	20	235	X		RS	RAL 9016 coated	without		92	3230670
55	78	8	20	235		X	LS	GE 1356 antique silver lacquered	without		92	3359199
55	78	8	20	235		X	RS	GE 1356 antique silver lacquered	without		92	3359200

**114 PZW for flush doors**

prepared for profile cylinder, with lever latch, double-throw deadbolt.

Backset	PZ dimension	Spindle square	Face plate width	Shield length	Rounded	Angular	Direction	Face plate surface	Striker plate	Version	Material group	Material number
55	72	8	24	235	X		LS	GE 1356 antique silver lacquered	without		98	3316311
55	72	8	24	235	X		RS	GE 1356 antique silver lacquered	without		98	3316312
55	72	8	24	235	X		LS	Brushed matt stainless steel	without		92	3138849
55	72	8	24	235	X		RS	Brushed matt stainless steel	without		92	3143569
55	72	8	24	235		X	LS	GE 1356 antique silver lacquered	without		98	3314072
55	72	8	24	235		X	RS	GE 1356 antique silver lacquered	without		98	3314071



Locks

Interior and exterior doors



114 BB for flush doors

Skeleton key lock with 1 key facon 104 without latch lever, double-throw deadbolt.

Backset	PZ dimension	Spindle square	Face plate width	Shield length	Rounded	Angular	Direction	Face plate surface	Striker plate	Version	Material group	Material number
55	72	8	24	235	X		LS	GE 1356 antique silver lacquered	without		92	3343535
55	72	8	24	235	X		RS	GE 1356 antique silver lacquered	without		92	3343534
55	72	8	24	235		X	LS	GE 1356 antique silver lacquered	without		92	3338856
55	72	8	24	235		X	RS	GE 1356 antique silver lacquered	without		92	3338857



114 WC for flush doors

Version for bathrooms with 8 mm spindle square, 10.5 mm single-throw deadbolt projection.

Backset	PZ dimension	Spindle square	Face plate width	Shield length	Rounded	Angular	Direction	Face plate surface	Striker plate	Version	Material group	Material number
55	78	8	24	235		X	LS	GE 1356 antique silver lacquered	without		92	3374068
55	78	8	24	235		X	RS	GE 1356 antique silver lacquered	without		92	3338858

Suitable striker plates

For rebated doors									
Article	Striker plate type				Version				
	Angle striker plate	Flanged striker	U-profile striker plate	Flat striker	Angular	Rounded	Can be used DIN LH/DIN RH	with compression lobe	with PVC backing
114 1/2									
1	X				X	X	X		
1-N	X				X	X	X	X	
4-3-N	X				X		X	X	
4-501-20N				X	X		X	X	X
4-501-28N				X	X		X	X	X
4-502-20N				X	X		X	X	X
4-502-28N				X	X		X	X	X
4-701N				X		X	X	X	
4F	X				X		X		X
4F-N	X				X		X	X	X

For flush doors									
Article	Striker plate type				Version				
	Angle striker plate	Flanged striker	U-profile striker plate	Flat striker	Angular	Rounded	Can be used DIN LH/DIN RH	with compression lobe	with PVC backing
114									
5		X			X	X			
5-01		X			X	X	X		
5-01-N		X				X	X		
5-N		X			X	X		X	



113 1/2, 113

Mortise door lock for apartment doors and for doors in public buildings

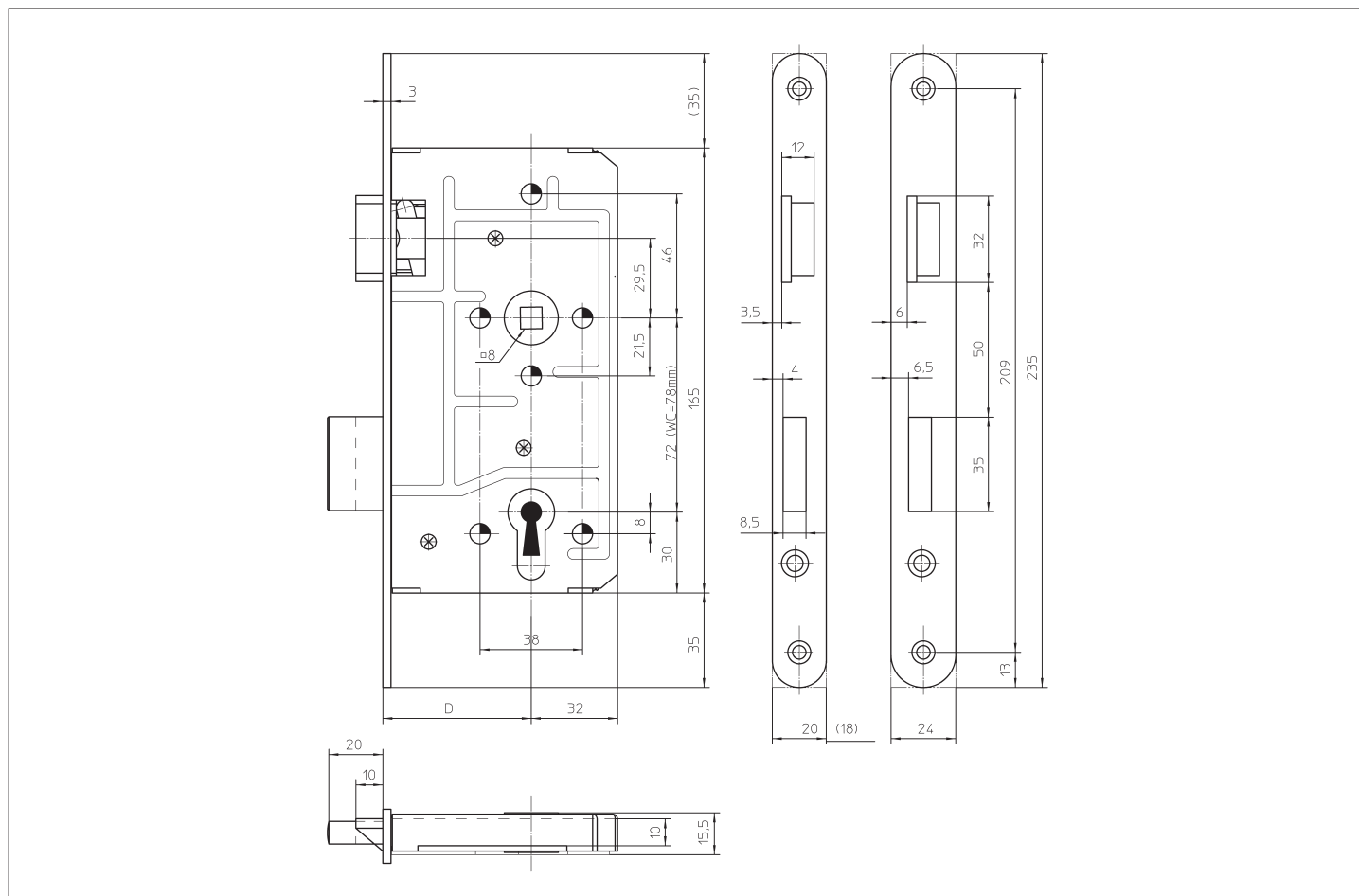
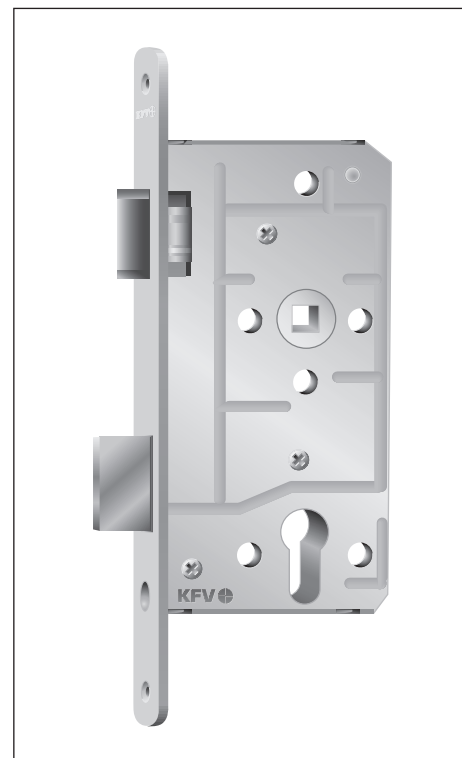


Article	For flush doors	For rebated doors DIN 18251-1	Classification according to EN 12209
113 1/2 PZW		Class 3	3S800C4*BC20
113 1/2 BB		Class 3	3S800C4*BD20
113 1/2 WC		Class 3	3S800C4*BG20
113 PZW	X		3S800C4*BC20
113 BB	X		3S800C4*BD20
113 WC	X		3S800C4*BG20

* In conjunction with protected striker plate lock case

Version

Bright zinc-plated latch and deadbolt,
Closed zinc-plated lock case,
with 8 mm steel sash clamp spindle.





Locks

Exterior and front doors



113 1/2 PZW for rebated doors

prepared for profile cylinder, with lever latch, double-throw deadbolt.

Backset	PZ dimension	Spindle square	Face plate width	Shield length	Rounded	Angular	Direction	Face plate surface	Striker plate	Version	Material group	Material number
50	72	8	20	235	X		LS	GE 1356 antique silver lacquered	without		92	3372788
50	72	8	20	235	X		RS	GE 1356 antique silver lacquered	without		92	3372789
50	72	8	20	235		X	LS	GE 1356 antique silver lacquered	without		92	3375873
50	72	8	20	235		X	RS	GE 1356 antique silver lacquered	without		92	3384504
55	72	8	18	235	X		LS	GE 1356 antique silver lacquered	without		98	3316856
55	72	8	18	235	X		RS	GE 1356 antique silver lacquered	without		98	3316857
55	72	8	18	235	X		LS	Polished brass	without	With softlock latch	92	3464025
55	72	8	18	235	X		RS	Polished brass	without	With softlock latch	92	3464026
55	72	8	18	235	X		LS	Brushed matt stainless steel	without		92	3102543
55	72	8	18	235	X		RS	Brushed matt stainless steel	without		92	3102593
55	72	8	18	235		X	LS	GE 1356 antique silver lacquered	without		98	3361451
55	72	8	18	235		X	RS	GE 1356 antique silver lacquered	without		98	3340947
55	72	8	20	235	X		LS	GE 1356 antique silver lacquered	without		98	3279105
55	72	8	20	235	X		RS	GE 1356 antique silver lacquered	without		98	3285991
55	72	8	20	235	X		LS	GE 1356 antique silver lacquered	without	Delrin latch	92	3326393
55	72	8	20	235	X		RS	GE 1356 antique silver lacquered	without	Delrin latch	92	3326394
55	72	8	20	235	X		LS	GE 1356 antique silver lacquered	without	With softlock latch	98	3390551
55	72	8	20	235	X		RS	GE 1356 antique silver lacquered	without	With softlock latch	98	3390887
55	72	8	20	235	X		LS	Polished brass	without		98	3102563
55	72	8	20	235	X		RS	Polished brass	without		98	3102614
55	72	8	20	235	X		LS	Brushed matt stainless steel	without		98	3102558
55	72	8	20	235	X		RS	Brushed matt stainless steel	without		98	3102609
55	72	8	20	235	X		LS	Brushed matt stainless steel	without	With softlock latch	98	3395900
55	72	8	20	235	X		RS	Brushed matt stainless steel	without	With softlock latch	98	3399159
55	72	8	20	235		X	LS	GE 1356 antique silver lacquered	without		98	3313071
55	72	8	20	235		X	RS	GE 1356 antique silver lacquered	without		98	3313070
55	72	8	20	235		X	LS	GE 1356 antique silver lacquered	without	With softlock latch	92	3401947
55	72	8	20	235		X	RS	GE 1356 antique silver lacquered	without	With softlock latch	92	3401946
60	72	8	20	235	X		LS	GE 1356 antique silver lacquered	without		98	3315192
60	72	8	20	235	X		RS	GE 1356 antique silver lacquered	without		98	3315194
60	72	8	20	235	X		LS	Brushed matt stainless steel	without		98	3102651
60	72	8	20	235	X		RS	Brushed matt stainless steel	without		98	3102685
60	72	8	20	235		X	LS	GE 1356 antique silver lacquered	without		98	3331490
60	72	8	20	235		X	RS	GE 1356 antique silver lacquered	without		98	3331491
65	72	8	20	235	X		LS	GE 1356 antique silver lacquered	without		98	3297546
65	72	8	20	235	X		RS	GE 1356 antique silver lacquered	without		98	3292001
65	72	8	20	235	X		LS	Brushed matt stainless steel	without		98	3102719
65	72	8	20	235	X		RS	Brushed matt stainless steel	without		98	3102750
65	72	8	20	235		X	LS	GE 1356 antique silver lacquered	without		98	3329669
65	72	8	20	235		X	RS	GE 1356 antique silver lacquered	without		98	3340756
70	72	8	20	235	X		LS	GE 1356 antique silver lacquered	without		92	3306686

**113 1/2 PZW for rebated doors**

prepared for profile cylinder, with lever latch, double-throw deadbolt.

Backset	PZ dimension	Spindle square	Face plate width	Shield length	Rounded	Angular	Direction	Face plate surface	Striker plate	Version	Material group	Material number
70	72	8	20	235	X		RS	GE 1356 antique silver lacquered	without		92	3306685
80	72	8	20	235	X		LS	GE 1356 antique silver lacquered	without		92	3314870
80	72	8	20	235	X		RS	GE 1356 antique silver lacquered	without		92	3314871
80	72	8	20	235		X	LS	GE 1356 antique silver lacquered	without		92	3340759
80	72	8	20	235		X	RS	GE 1356 antique silver lacquered	without		92	3340760

**113 1/2 BB for rebated doors**

Skeleton key lock with 1 key facon 104 without latch lever, double-throw deadbolt.

Backset	PZ dimension	Spindle square	Face plate width	Shield length	Rounded	Angular	Direction	Face plate surface	Striker plate	Version	Material group	Material number
55	72	8	18	235	X		LS	Brushed matt stainless steel	without		92	3101924
55	72	8	18	235	X		RS	Brushed matt stainless steel	without		92	3127291
55	72	8	18	235	X		LS	Brushed matt stainless steel	without	With softlock latch	92	3400318
55	72	8	18	235	X		RS	Brushed matt stainless steel	without	With softlock latch	92	3400319
55	72	8	20	235	X		LS	GE 1356 antique silver lacquered	without		98	3314696
55	72	8	20	235	X		RS	GE 1356 antique silver lacquered	without		98	3314697
55	72	8	20	235	X		LS	Polished brass	without		98	3101939
55	72	8	20	235	X		RS	Polished brass	without		98	3101976
55	72	8	20	235	X		LS	Brushed matt stainless steel	without		98	3101934
55	72	8	20	235	X		RS	Brushed matt stainless steel	without		98	3101971
55	72	8	20	235	X		LS	Brushed matt stainless steel	without	With softlock latch	98	3399857
55	72	8	20	235	X		RS	Brushed matt stainless steel	without	With softlock latch	98	3399858
55	72	8	20	235		X	LS	GE 1356 antique silver lacquered	without		92	3343531
55	72	8	20	235		X	RS	GE 1356 antique silver lacquered	without		92	3343530
55	72	8	20	235		X	LS	Polished brass	without		92	3101954
55	72	8	20	235		X	RS	Polished brass	without		92	3101992
65	72	8	20	235	X		LS	GE 1356 antique silver lacquered	without		92	3315185
65	72	8	20	235	X		RS	GE 1356 antique silver lacquered	without		92	3315187



Locks

Exterior and front doors

WC

113 1/2 WC for rebated doors

Version for bathrooms with 8 mm spindle square, 10.5 mm single-throw deadbolt projection.

Backset	PZ dimension	Spindle square	Face plate width	Shield length	Rounded	Angular	Direction	Face plate surface	Striker plate	Version	Material group	Material number
55	78	8	18	235	X		LS	Brushed matt stainless steel	without	With softlock latch	92	3400322
55	78	8	18	235	X		RS	Brushed matt stainless steel	without	With softlock latch	92	3400323
55	78	8	20	235	X		LS	GE 1356 antique silver lacquered	without		98	3285992
55	78	8	20	235	X		RS	GE 1356 antique silver lacquered	without		98	3285993
55	78	8	20	235	X		LS	GE 1356 antique silver lacquered	without	With softlock latch	92	3390888
55	78	8	20	235	X		RS	GE 1356 antique silver lacquered	without	With softlock latch	92	3390889
55	78	8	20	235	X		LS	Polished brass	without		98	3101699
55	78	8	20	235	X		RS	Polished brass	without		98	3101730
55	78	8	20	235	X		LS	Brushed matt stainless steel	without		98	3101695
55	78	8	20	235	X		RS	Brushed matt stainless steel	without		98	3101726
55	78	8	20	235	X		LS	Brushed matt stainless steel	without	With softlock latch	98	3399859
55	78	8	20	235	X		RS	Brushed matt stainless steel	without	With softlock latch	98	3399860
55	78	8	20	235	X		LS	RAL 9016 coated	without		92	3240515
55	78	8	20	235	X		RS	RAL 9016 coated	without		92	3240516
55	78	8	20	235		X	LS	GE 1356 antique silver lacquered	without		92	3335244
55	78	8	20	235		X	RS	GE 1356 antique silver lacquered	without		92	3335243
60	78	8	20	235	X		LS	Brushed matt stainless steel	without		92	3101751
60	78	8	20	235	X		RS	Brushed matt stainless steel	without		92	3101769
65	78	8	20	235	X		LS	GE 1356 antique silver lacquered	without		92	3299923
65	78	8	20	235	X		RS	GE 1356 antique silver lacquered	without		92	3299922
65	78	8	20	235	X		LS	Brushed matt stainless steel	without		92	3101788
65	78	8	20	235	X		RS	Brushed matt stainless steel	without		92	3101807



113 PZW for flush doors

prepared for profile cylinder, with lever latch, double-throw deadbolt.

Backset	PZ dimension	Spindle square	Face plate width	Shield length	Rounded	Angular	Direction	Face plate surface	Striker plate	Version	Material group	Material number
50	72	8	24	235		X	LS	GE 1356 antique silver lacquered	without		92	3361554
50	72	8	24	235		X	RS	GE 1356 antique silver lacquered	without		92	3381444
55	72	8	24	235	X		LS	GE 1356 antique silver lacquered	without		98	3315195
55	72	8	24	235	X		RS	GE 1356 antique silver lacquered	without		98	3315198
55	72	8	24	235	X		LS	Brushed matt stainless steel	without		98	3103424
55	72	8	24	235	X		RS	Brushed matt stainless steel	without		98	3103450
55	72	8	24	235		X	LS	GE 1356 antique silver lacquered	without		98	3313073
55	72	8	24	235		X	RS	GE 1356 antique silver lacquered	without		98	3313072
60	72	8	24	235	X		LS	GE 1356 antique silver lacquered	without		92	3323836
60	72	8	24	235	X		RS	GE 1356 antique silver lacquered	without		92	3336849
60	72	8	24	235	X		LS	Brushed matt stainless steel	without		98	3103473

**113 PZW for flush doors**

prepared for profile cylinder, with lever latch, double-throw deadbolt.

Backset	PZ dimension	Spindle square	Face plate width	Shield length	Rounded	Angular	Direction	Face plate surface	Striker plate	Version	Material group	Material number
60	72	8	24	235	X		RS	Brushed matt stainless steel	without		98	3103493
60	72	8	24	235		X	LS	GE 1356 antique silver lacquered	without		98	3367862
60	72	8	24	235		X	RS	GE 1356 antique silver lacquered	without		98	3367863
65	72	8	24	235	X		LS	GE 1356 antique silver lacquered	without		92	3328093
65	72	8	24	235	X		RS	GE 1356 antique silver lacquered	without		92	3328094
65	72	8	24	235	X		LS	Brushed matt stainless steel	without		92	3103512
65	72	8	24	235	X		RS	Brushed matt stainless steel	without		92	3103529
65	72	8	24	235		X	LS	GE 1356 antique silver lacquered	without		98	3343096
65	72	8	24	235		X	RS	GE 1356 antique silver lacquered	without		98	3372236
65	72	8	24	235		X	LS	Brushed matt stainless steel	without		92	3132361
65	72	8	24	235		X	RS	Brushed matt stainless steel	without		92	3132650
65	72	8	24	235		X	LS	Brushed matt stainless steel	without	With low-friction latch (metal crank)	92	3180040
65	72	8	24	235		X	RS	Brushed matt stainless steel	without	With low-friction latch (metal crank)	92	3406948
70	72	8	24	235		X	LS	GE 1356 antique silver lacquered	without		92	3375359
70	72	8	24	235		X	RS	GE 1356 antique silver lacquered	without		92	3376301
80	72	8	24	235	X		LS	GE 1356 antique silver lacquered	without		92	3320859
80	72	8	24	235	X		RS	GE 1356 antique silver lacquered	without		92	3320860
80	72	8	24	235	X		LS	Brushed matt stainless steel	without		92	3103575
80	72	8	24	235	X		RS	Brushed matt stainless steel	without		92	3103589
80	72	8	24	235		X	LS	GE 1356 antique silver lacquered	without		92	3378494
80	72	8	24	235		X	RS	GE 1356 antique silver lacquered	without		92	3366199

**113 BB for flush doors**

Skeleton key lock with 1 key facon 104 without latch lever, double-throw deadbolt.

Backset	PZ dimension	Spindle square	Face plate width	Shield length	Rounded	Angular	Direction	Face plate surface	Striker plate	Version	Material group	Material number
55	72	8	24	235	X		LS	GE 1356 antique silver lacquered	without		92	3315188
55	72	8	24	235	X		RS	GE 1356 antique silver lacquered	without		92	3315189
55	72	8	24	235	X		LS	Brushed matt stainless steel	without		98	3103097
55	72	8	24	235	X		RS	Brushed matt stainless steel	without		98	3103122
55	72	8	24	235		X	LS	Brushed matt stainless steel	without		92	3135827
55	72	8	24	235		X	RS	Brushed matt stainless steel	without		92	3103134
60	72	8	24	235	X		LS	Brushed matt stainless steel	without		98	3103143
60	72	8	24	235	X		RS	Brushed matt stainless steel	without		98	3103158



Locks

Exterior and front doors

WC

113 WC for flush doors

Version for bathrooms with 8 mm spindle square, 10.5 mm single-throw deadbolt projection.

Backset	PZ dimension	Spindle square	Face plate width	Shield length	Rounded	Angular	Direction	Face plate surface	Striker plate	Version	Material group	Material number
55	78	8	24	235	X		LS	GE 1356 antique silver lacquered	without		92	3328091
55	78	8	24	235	X		RS	GE 1356 antique silver lacquered	without		92	3328092
55	78	8	24	235	X		LS	Brushed matt stainless steel	without		98	3103003
55	78	8	24	235	X		RS	Brushed matt stainless steel	without		98	3103023
55	78	8	24	235		X	LS	GE 1356 antique silver lacquered	without		92	3359210
55	78	8	24	235		X	RS	GE 1356 antique silver lacquered	without		92	3359211
60	78	8	24	235	X		LS	Brushed matt stainless steel	without		98	3103042
60	78	8	24	235	X		RS	Brushed matt stainless steel	without		98	3103055
65	78	8	24	235	X		LS	Brushed matt stainless steel	without		92	3103067
65	78	8	24	235	X		RS	Brushed matt stainless steel	without		92	3103078

Suitable striker plates

For rebated doors									
Article	Striker plate type				Version				
	Angle striker plate	Flanged striker	U-profile striker plate	Flat striker	Angular	Rounded	Can be used DIN LH/DIN RH	with compression lobe	with PVC backing
113 1/2									
1	X				X	X	X		
1-N	X				X	X	X	X	
4-3-N	X				X		X	X	
4-501-20N			X		X		X	X	X
4-501-28N			X		X		X	X	X
4-502-20N			X		X		X	X	X
4-502-28N			X		X		X	X	X
4-701N				X		X	X	X	
4F	X				X		X		X
4F-N	X				X		X	X	X

For flush doors									
Article	Striker plate type				Version				
	Angle striker plate	Flanged striker	U-profile striker plate	Flat striker	Angular	Rounded	Can be used DIN LH/DIN RH	with compression lobe	with PVC backing
113									
5		X			X	X			
5-01		X			X	X	X		
5-01-N		X				X	X	X	
5-N		X			X	X			



115 1/2, 115

Mortise door lock for interior and exterior doors, can be used RH or LH

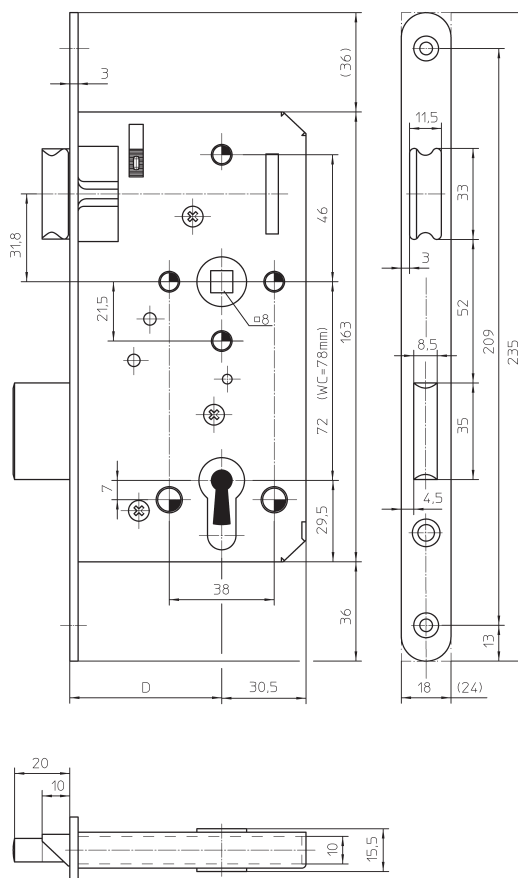


Article	For flush doors	For rebated doors	Classification according to EN 12209
115 1/2 PZW		X	3S810C4*BC20
115 1/2 BB		X	3S810C4*BD20
115 1/2 WC		X	3S810C4*BG20
115 1/2 F		X	
115 1/2 R PZ		X	
115 PZW	X		3S810C4*BC20
115 BB	X		3S810C4*BD20
115 WC	X		3S810C4*BG20
115 F	X		

* In conjunction with protected striker plate lock case

Version

With reversible latch,
Bright zinc-plated latch and deadbolt,
Closed zinc-plated lock case.





Locks

Interior, exterior and front doors



115 1/2 PZW for rebated doors

prepared for profile cylinder, with lever latch, double-throw deadbolt.

Backset	PZ dimension	Spindle square	Face plate width	Shield length	Rounded	Angular	Direction	Face plate surface	Striker plate	Version	Material group	Material number
45	72	8	18	235	X		R/L	GE 1356 antique silver lacquered	without		92	3374473
45	72	8	20	235	X		R/L	GE 1356 antique silver lacquered	without		92	3373138
45	72	8	20	235	X		R/L	Brushed matt brass	without		92	3127396
50	72	8	16	235	X		R/L	GE 1356 antique silver lacquered	without		92	3413738
50	72	8	18	235	X		R/L	GE 1356 antique silver lacquered	without		92	3399865
50	72	8	20	235	X		R/L	GE 1356 antique silver lacquered	without		92	3403570
55	72	8	16	235	X		R/L	GE 1356 antique silver lacquered	without		92	3413739
55	72	8	16	235		X	R/L	GE 1356 antique silver lacquered	without		92	3398200
55	72	8	18	235	X		R/L	GE 1356 antique silver lacquered	without		98	3334735
55	72	8	18	235	X		R/L	Brushed matt brass	without		92	3105060
55	72	8	18	235	X		R/L	Polished brass	without		98	3105061
55	72	8	18	235	X		R/L	Brushed matt stainless steel	without		98	3105058
55	72	8	20	235	X		R/L	GE 1356 antique silver lacquered	without		98	3338984
55	72	8	20	235	X		R/L	GE 1356 antique silver lacquered	without	50 pieces loose in outer packaging	92	3425272
55	72	8	20	235	X		R/L	Brushed matt brass	without		92	3105072
55	72	8	20	235	X		R/L	Polished brass	without		98	3105073
55	72	8	20	235	X		R/L	Brushed matt stainless steel	without		98	3105070
55	72	8	20	235		X	R/L	Brushed matt stainless steel	without		92	3105074
60	72	8	18	235	X		R/L	GE 1356 antique silver lacquered	without		92	3392065
60	72	8	20	235	X		R/L	GE 1356 antique silver lacquered	without		92	3416966
60	72	8	20	235	X		R/L	Brushed matt stainless steel	without		98	3161610



115 1/2 BB for rebated doors

Skeleton key lock with 1 key facon 104 without latch lever, double-throw deadbolt.

Backset	PZ dimension	Spindle square	Face plate width	Shield length	Rounded	Angular	Direction	Face plate surface	Striker plate	Version	Material group	Material number
45	72	8	18	235	X		R/L	GE 1356 antique silver lacquered	without		92	3374472
45	72	8	20	235	X		R/L	GE 1356 antique silver lacquered	without		92	3375363
55	72	8	18	235	X		R/L	GE 1356 antique silver lacquered	without		98	3367869
55	72	8	18	235	X		R/L	Brushed matt brass	without		92	3105008
55	72	8	18	235	X		R/L	Polished brass	without		98	3105009
55	72	8	18	235	X		R/L	Brushed matt stainless steel	without		98	3105006
55	72	8	20	235	X		R/L	GE 1356 antique silver lacquered	without		98	3322678
55	72	8	20	235	X		R/L	Brushed matt brass	without		92	3105017
55	72	8	20	235	X		R/L	Polished brass	without		98	3105018
55	72	8	20	235	X		R/L	Brushed matt stainless steel	without		98	3105015


WC
115 1/2 WC for rebated doors

Version for bathrooms with 8 mm spindle square, 10.5 mm single-throw deadbolt projection.

Backset	PZ dimension	Spindle square	Face plate width	Shield length	Rounded	Angular	Direction	Face plate surface	Striker plate	Version	Material group	Material number
45	78	8	18	235	X		R/L	GE 1356 antique silver lacquered	without		92	3388808
45	78	8	20	235	X		R/L	GE 1356 antique silver lacquered	without		92	3375362
45	78	8	20	235	X		R/L	Brushed matt brass	without		92	3127391
55	78	8	18	235	X		R/L	GE 1356 antique silver lacquered	without		98	3375778
55	78	8	18	235	X		R/L	Brushed matt brass	without		92	3104966
55	78	8	18	235	X		R/L	Polished brass	without		98	3104967
55	78	8	18	235	X		R/L	Brushed matt stainless steel	without		98	3104964
55	78	8	20	235	X		R/L	GE 1356 antique silver lacquered	without		98	3341813
55	78	8	20	235	X		R/L	Brushed matt brass	without		92	3104973
55	78	8	20	235	X		R/L	Polished brass	without		98	3104974
55	78	8	20	235	X		R/L	Brushed matt stainless steel	without		98	3104972

115 1/2 F for rebated doors

as latch lock (without deadbolt), 8 mm spindle square.

Backset	PZ dimension	Spindle square	Face plate width	Shield length	Rounded	Angular	Direction	Face plate surface	Striker plate	Version	Material group	Material number
55	72	8	20	235	X		R/L	GE 1356 antique silver lacquered	without		92	3375901
55	72	8	20	235	X		R/L	Brushed matt brass	without		92	3407508
60	72	8	20	235	X		R/L	Brushed matt stainless steel	without		92	3216950



Locks

Interior, exterior and front doors



115 PZW for flush doors

prepared for profile cylinder, with lever latch, double-throw deadbolt.

Backset	PZ dimension	Spindle square	Face plate width	Shield length	Rounded	Angular	Direction	Face plate surface	Striker plate	Version	Material group	Material number
45	72	8	24	235	X		R/L	Brushed matt stainless steel	without		92	3246929
45	72	8	24	235		X	R/L	GE 1356 antique silver lacquered	without		92	3396854
50	72	8	24	235	X		R/L	Brushed matt stainless steel	without		92	3466043
50	72	8	24	235		X	R/L	GE 1356 antique silver lacquered	without		92	3399864
55	72	8	24	235	X		R/L	GE 1356 antique silver lacquered	without		98	3367890
55	72	8	24	235	X		R/L	Brushed matt stainless steel	without		98	3130986
55	72	8	24	235		X	R/L	GE 1356 antique silver lacquered	without		98	3332323
55	72	8	24	235		X	R/L	Polished brass	without		98	3105187
55	72	8	24	235		X	R/L	Brushed matt stainless steel	without		98	3105184
60	72	8	24	235	X		R/L	GE 1356 antique silver lacquered	without		92	3374972
60	72	8	24	235	X		R/L	Brushed matt stainless steel	without		92	3161611



115 BB for flush doors

Skeleton key lock with 1 key facon 104 without latch lever, double-throw deadbolt.

Backset	PZ dimension	Spindle square	Face plate width	Shield length	Rounded	Angular	Direction	Face plate surface	Striker plate	Version	Material group	Material number
55	72	8	24	235	X		R/L	GE 1356 antique silver lacquered	without		98	3374325
55	72	8	24	235	X		R/L	Polished brass	without		98	3105135
55	72	8	24	235	X		R/L	Brushed matt stainless steel	without		98	3126381



115 WC for flush doors

Version for bathrooms with 8 mm spindle square, 10.5 mm single-throw deadbolt projection.

Backset	PZ dimension	Spindle square	Face plate width	Shield length	Rounded	Angular	Direction	Face plate surface	Striker plate	Version	Material group	Material number
50	78	8	24	235	X		R/L	Brushed matt stainless steel	without		92	3469021
55	78	8	24	235	X		R/L	GE 1356 antique silver lacquered	without		98	3398478
55	78	8	24	235	X		R/L	Brushed matt stainless steel	without		98	3126380
60	78	8	24	235		X	R/L	Brushed matt stainless steel	without		98	3291592



115 F for flush doors
as latch lock (without deadbolt), 8 mm spindle square.

Backset	PZ dimension	Spindle square	Face plate width	Shield length	Rounded	Angular	Direction	Face plate surface	Striker plate	Version	Material group	Material number
50	72	8	24	235	X		R/L	Brushed matt stainless steel	without		92	3469047

Suitable striker plates

For rebated doors									
Article	Striker plate type				Version				
	Angle striker plate	Flanged striker	U-profile striker plate	Flat striker	Angular	Rounded	Can be used DIN LH/DIN RH	with compression lobe	with PVC backing
115 1/2									
1	X				X	X	X		
1-N	X				X	X	X	X	
0430	X				X	X	X		
4-3-N	X				X		X	X	
4-501-20N			X		X		X	X	X
4-501-28N			X		X		X	X	X
4-502-20N			X		X		X	X	X
4-502-28N			X		X		X	X	X
4-701N				X		X	X	X	
4F	X				X		X		X
4F- F-N	X				X			X	
4F-N	X				X		X	X	X

For flush doors									
Article	Striker plate type				Version				
	Angle striker plate	Flanged striker	U-profile striker plate	Flat striker	Angular	Rounded	Can be used DIN LH/DIN RH	with compression lobe	with PVC backing
115									
0429		X			X	X	X		
0429-N		X			X	X	X	X	
5		X			X	X			
5-01		X				X	X		
5-01-F-N		X				X	X	X	
5-01-N		X				X	X	X	
5-N		X				X		X	



Locks

Interior and exterior doors

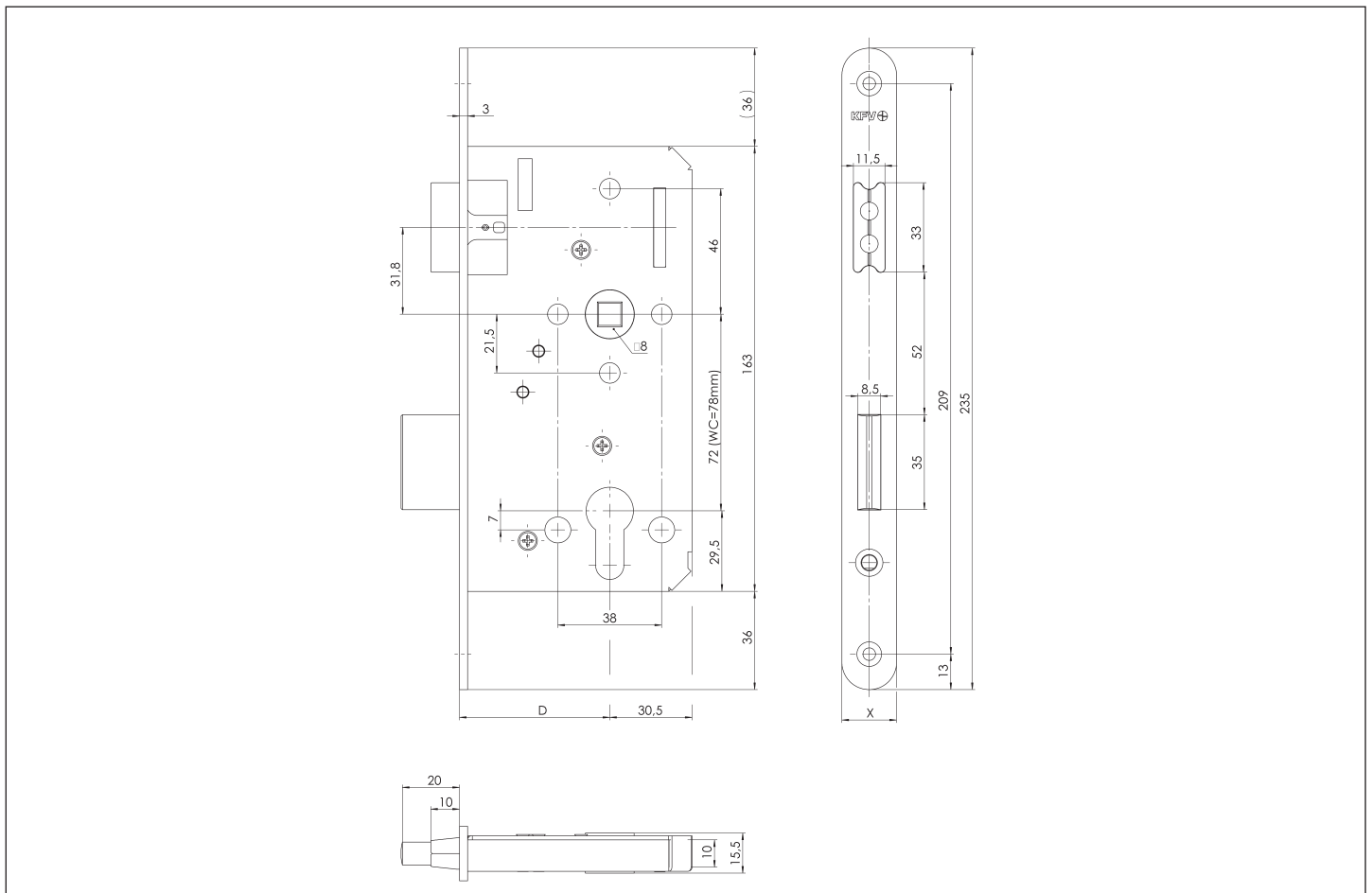
116 1/2

Magnetic mortise door lock for interior and exterior doors, can be used RH and LH



Article	For flush doors	For rebated doors	Classification according to EN 12209
116 1/2 PZW	X	X	
116 1/2 BB	X	X	
116 1/2 WC	X	X	
116 1/2 F	X	X	
116 1/2 RZ	X	X	

Version
Magnetic latch, Gloss nickel-plated deadbolt Closed zinc-plated lock case.





116 1/2 PZW for rebated doors and flush doors

prepared for profile cylinder, with lever latch, double-throw deadbolt.

Backset	PZ dimension	Spindle square	Face plate width	Shield length	Rounded	Angular	Direction	Face plate surface	Striker plate	Version	Material group	Material number
55	72	8	18	235	X		R/L	Brushed matt stainless steel	without		92	3475260
55	72	8	20	235	X		R/L	Brushed matt stainless steel	without		98	3475257



116 1/2 BB for rebated doors and flush doors

Skeleton key lock with 1 key facon 104 without latch lever, double-throw deadbolt.

Backset	PZ dimension	Spindle square	Face plate width	Shield length	Rounded	Angular	Direction	Face plate surface	Striker plate	Version	Material group	Material number
55	72	8	18	235	X		R/L	Brushed matt stainless steel	without		92	3476323
55	72	8	20	235	X		R/L	Brushed matt stainless steel	without		98	3475258



116 1/2 WC for rebated doors and flush doors

Version for bathrooms with 8 mm spindle square, 10.5 mm single-throw deadbolt projection.

Backset	PZ dimension	Spindle square	Face plate width	Shield length	Rounded	Angular	Direction	Face plate surface	Striker plate	Version	Material group	Material number
55	78	8	18	235	X		R/L	Brushed matt stainless steel	without		92	3476324
55	78	8	20	235	X		R/L	Brushed matt stainless steel	without		98	3475259

116 1/2 F for rebated doors and flush doors

as latch lock (without deadbolt), 8 mm spindle square.

Backset	PZ dimension	Spindle square	Face plate width	Shield length	Rounded	Angular	Direction	Face plate surface	Striker plate	Version	Material group	Material number
55	72	8	20	235	X		R/L	Brushed matt stainless steel	without		92	3475261



116 1/2 RZ for rebated doors and flush doors

prepared for Swiss round cylinder, 8 mm spindle, double-throw deadbolt.

Backset	PZ dimension	Spindle square	Face plate width	Shield length	Rounded	Angular	Direction	Face plate surface	Striker plate	Version	Material group	Material number
55	74	8	20	235	X		R/L	Brushed matt stainless steel	without		98	3476979



Locks

Interior and exterior doors

Suitable striker plates

Article	Striker plate type				Version			
	Angle striker plate	Flanged striker	U-profile striker plate	Flat striker	Angular	Rounded	Can be used DIN LH/DIN RH	with compression lobe with PVC backing
116 1/2								
116-120-20				X		X	X	X
116-200-20				X		X	X	X
116-245-18				X		X	X	X
116-245-20				X		X	X	X



154 1/2, 154

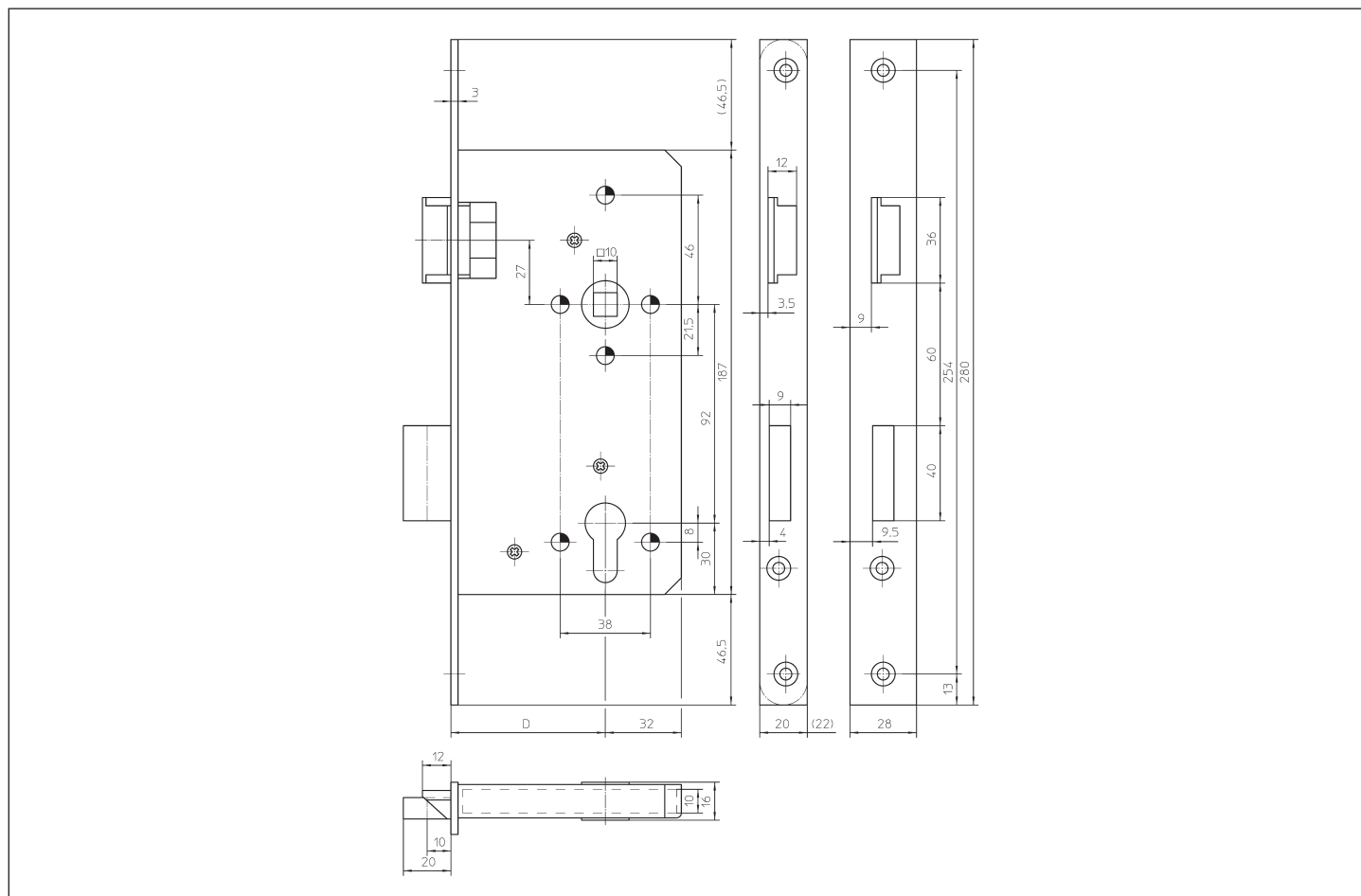
Mortise door lock for front doors, medium-duty version



Article	For flush doors	For rebated doors DIN 18251-1	Classification according to EN 12209
154 1/2 PZW		Class 3	3S800C4*BC20
154 PZW	X		3S800C4*BC20

* In conjunction with protected striker plate lock case

Version
Bright zinc-plated latch and deadbolt, Closed zinc-plated lock case, with 10 mm steel sash clamp spindle.





Locks

Exterior and front doors



154 1/2 PZW for rebated doors

prepared for profile cylinder, with lever latch, double-throw deadbolt.

Backset	PZ dimension	Spindle square	Face plate width	Shield length	Rounded	Angular	Direction	Face plate surface	Striker plate	Version	Material group	Material number
55	92	10	20	280	X		LS	GE 1356 antique silver lacquered	without		98	3328357
55	92	10	20	280	X		RS	GE 1356 antique silver lacquered	without		98	3322928
55	92	10	20	280		X	LS	GE 1356 antique silver lacquered	without		98	3347096
55	92	10	20	280		X	RS	GE 1356 antique silver lacquered	without		98	3347097
55	92	10	22	280		X	LS	GE 1356 antique silver lacquered	without		92	3367828
55	92	10	22	280		X	RS	GE 1356 antique silver lacquered	without		92	3372370
55	92	10	22	280		X	LS	Brushed matt stainless steel	without		92	3106578
55	92	10	22	280		X	RS	Brushed matt stainless steel	without		92	3106633
60	92	10	20	280	X		LS	GE 1356 antique silver lacquered	without		92	3330445
60	92	10	20	280	X		RS	GE 1356 antique silver lacquered	without		92	3330838
60	92	10	22	280		X	LS	GE 1356 antique silver lacquered	without		92	3377430
60	92	10	22	280		X	RS	GE 1356 antique silver lacquered	without		92	3374486
65	92	10	20	280	X		LS	GE 1356 antique silver lacquered	without		98	3327397
65	92	10	20	280	X		RS	GE 1356 antique silver lacquered	without		98	3327359
65	92	10	20	280	X		LS	Brushed matt stainless steel	without		98	3106765
65	92	10	20	280	X		RS	Brushed matt stainless steel	without		98	3106837
65	92	10	20	280		X	LS	GE 1356 antique silver lacquered	without		98	3326729
65	92	10	20	280		X	RS	GE 1356 antique silver lacquered	without		98	3326730
65	92	10	22	280	X		LS	GE 1356 antique silver lacquered	without		98	3329917
65	92	10	22	280	X		RS	GE 1356 antique silver lacquered	without		98	3329918
65	92	10	22	280		X	LS	GE 1356 antique silver lacquered	without		98	3337537
65	92	10	22	280		X	RS	GE 1356 antique silver lacquered	without		98	3337538
65	92	10	22	280		X	LS	Brushed matt stainless steel	without		98	3106799
65	92	10	22	280		X	RS	Brushed matt stainless steel	without		98	3106869
65	92	10	24	277	X		LS	GE 1356 antique silver lacquered	without		92	3329619
65	92	10	24	277	X		RS	GE 1356 antique silver lacquered	without		92	3327713
65	92	10	24	280		X	LS	GE 1356 antique silver lacquered	without		98	3360060
65	92	10	24	280		X	RS	GE 1356 antique silver lacquered	without		98	3360061
70	92	10	20	280	X		LS	GE 1356 antique silver lacquered	without		92	3341544
70	92	10	20	280	X		RS	GE 1356 antique silver lacquered	without		92	3370968
70	92	10	20	280		X	LS	GE 1356 antique silver lacquered	without		92	3350577
70	92	10	20	280		X	RS	GE 1356 antique silver lacquered	without		92	3347098
70	92	10	22	280		X	LS	GE 1356 antique silver lacquered	without		92	3339880
70	92	10	22	280		X	RS	GE 1356 antique silver lacquered	without		92	3339879
80	92	10	20	280	X		LS	GE 1356 antique silver lacquered	without		98	3337535
80	92	10	20	280	X		RS	GE 1356 antique silver lacquered	without		98	3337536
80	92	10	20	280		X	LS	GE 1356 antique silver lacquered	without		92	3343940
80	92	10	20	280		X	RS	GE 1356 antique silver lacquered	without		92	3343941
80	92	10	22	280		X	LS	GE 1356 antique silver lacquered	without		92	3337540
80	92	10	22	280		X	RS	GE 1356 antique silver lacquered	without		92	3337541
80	92	10	22	280		X	LS	Brushed matt stainless steel	without		92	3107039

**154 1/2 PZW for rebated doors**

prepared for profile cylinder, with lever latch, double-throw deadbolt.

Backset	PZ dimension	Spindle square	Face plate width	Shield length	Rounded	Angular	Direction	Face plate surface	Striker plate	Version	Material group	Material number
80	92	10	22	280		X	RS	Brushed matt stainless steel	without		92	3107092
90	92	10	22	280		X	LS	GE 1356 antique silver lacquered	without		92	3377179
90	92	10	22	280		X	RS	GE 1356 antique silver lacquered	without		92	3377180
100	92	10	22	280		X	LS	GE 1356 antique silver lacquered	without		92	3381730
100	92	10	22	280		X	RS	GE 1356 antique silver lacquered	without		92	3388509

**154 PZW for flush doors**

prepared for profile cylinder, with lever latch, double-throw deadbolt.

Backset	PZ dimension	Spindle square	Face plate width	Shield length	Rounded	Angular	Direction	Face plate surface	Striker plate	Version	Material group	Material number
55	92	10	28	280		X	LS	GE 1356 antique silver lacquered	without		92	3374485
55	92	10	28	280		X	RS	GE 1356 antique silver lacquered	without		92	3370817
60	92	10	28	280		X	LS	GE 1356 antique silver lacquered	without		92	3376987
60	92	10	28	280		X	RS	GE 1356 antique silver lacquered	without		92	3381735
65	92	10	24	280		X	LS	GE 1356 antique silver lacquered	without		92	3372832
65	92	10	24	280		X	RS	GE 1356 antique silver lacquered	without		92	3355632
65	92	10	28	280		X	LS	GE 1356 antique silver lacquered	without		98	3368255
65	92	10	28	280		X	RS	GE 1356 antique silver lacquered	without		98	3356049
65	92	10	28	280		X	LS	GE 1356 antique silver lacquered	without	With 5 mm bevelled face-plate	98	3367277
65	92	10	28	280		X	RS	GE 1356 antique silver lacquered	without	With 5 mm bevelled face-plate	98	3367076
65	92	10	28	280		X	LS	Brushed matt stainless steel	without		92	3107984
65	92	10	28	280		X	RS	Brushed matt stainless steel	without		92	3108013
70	92	10	28	280		X	LS	GE 1356 antique silver lacquered	without		92	3376302
70	92	10	28	280		X	RS	GE 1356 antique silver lacquered	without		92	3382792
80	92	10	28	280		X	LS	GE 1356 antique silver lacquered	without		92	3374521
80	92	10	28	280		X	RS	GE 1356 antique silver lacquered	without		92	3376465
80	92	10	28	280		X	LS	GE 1356 antique silver lacquered	without	With 5 mm bevelled face-plate	92	3404564
80	92	10	28	280		X	RS	GE 1356 antique silver lacquered	without	With 5 mm bevelled face-plate	92	3378096



Locks

Exterior and front doors

Suitable striker plates

For rebated doors									
Article	Striker plate type				Version				
	Angle striker plate	Flanged striker	U-profile striker plate	Flat striker	Angular	Rounded	Can be used DIN LH/DIN RH	with compression lobe	with PVC backing
154 1/2									
6	X				X	X	X		
6-N	X				X	X	X	X	

For flush doors									
Article	Striker plate type				Version				
	Angle striker plate	Flanged striker	U-profile striker plate	Flat striker	Angular	Rounded	Can be used DIN LH/DIN RH	with compression lobe	with PVC backing
154									
8		X			X	X			
8-N		X			X	X		X	



1133 1/2, 1133

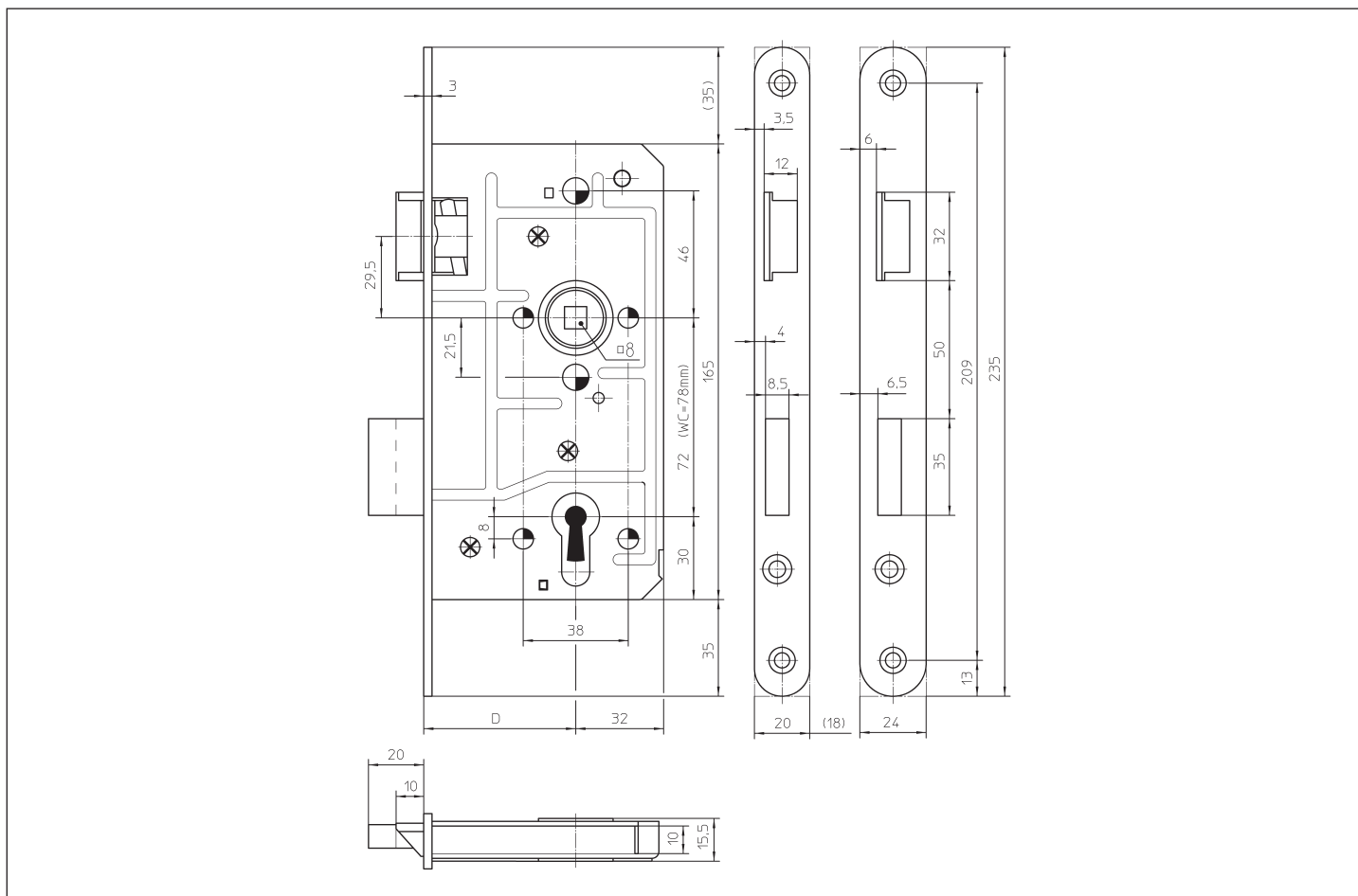
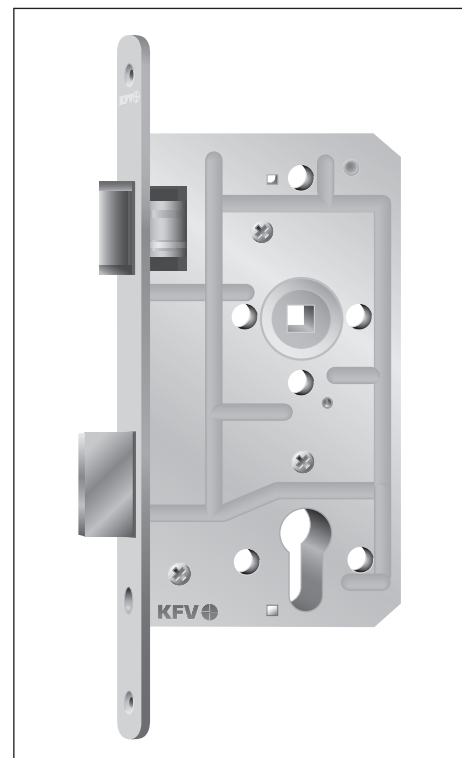
Mortise door lock for apartment doors and for doors in public buildings



Article	For flush doors	For rebated doors DIN 18251-1	Classification according to EN 12209
1133 1/2 PZW		Class 3	3S800D4*BC20
1133 1/2 BB		Class 3	3S800D4*BD20
1133 1/2 WC		Class 3	3S800D4*BG20
1133 PZW	X		3S800D4*BC20
1133 BB	X		3S800D4*BD20
1133 WC	X		3S800D4*BG20

* In conjunction with protected striker plate lock case

Version
 Closed zinc-plated lock case, with opening for hardware fixing screws, Bright nickel-plated latch and deadbolt, 8 mm steel sash clamp spindle mounted in steel rings, with strong handle spring made of high-quality spring steel.





Locks

Properties and doors with increased use frequency



1133 1/2 PZW for rebated doors

prepared for profile cylinder, with lever latch, double-throw deadbolt.

Backset	PZ dimension	Spindle square	Face plate width	Shield length	Rounded	Angular	Direction	Face plate surface	Striker plate	Version	Material group	Material number
55	72	8	18	235	X		LS	Brushed matt stainless steel	without	With softlock latch	92	3412615
55	72	8	18	235	X		RS	Brushed matt stainless steel	without	With softlock latch	92	3412616
55	72	8	20	235	X		LS	GE 1356 antique silver lacquered	without		92	3301922
55	72	8	20	235	X		RS	GE 1356 antique silver lacquered	without		92	3302064
55	72	8	20	235	X		LS	Polished brass	without		92	3319424
55	72	8	20	235	X		RS	Polished brass	without		92	3378614
55	72	8	20	235	X		LS	Brushed matt stainless steel	without		98	3200494
55	72	8	20	235	X		RS	Brushed matt stainless steel	without		98	3200493
55	72	8	20	235	X		LS	Brushed matt stainless steel	without	With low-friction latch (metal crank)	92	3135426
55	72	8	20	235	X		RS	Brushed matt stainless steel	without	With low-friction latch (metal crank)	92	3135427
55	72	8	20	235	X		LS	Brushed matt stainless steel	without	With softlock latch	92	3402603
55	72	8	20	235	X		RS	Brushed matt stainless steel	without	With softlock latch	92	3399277
55	72	8	20	235		X	LS	Brushed matt stainless steel	without		92	3318112
55	72	8	20	235		X	RS	Brushed matt stainless steel	without		92	3320525
55	72	9	20	235	X		LS	Brushed matt stainless steel	without		92	3132936
55	72	9	20	235	X		RS	Brushed matt stainless steel	without		92	3132439
60	72	8	20	235	X		LS	GE 1356 antique silver lacquered	without		92	3302065
60	72	8	20	235	X		RS	GE 1356 antique silver lacquered	without		92	3302066
60	72	8	20	235	X		LS	Brushed matt stainless steel	without		98	3254775
60	72	8	20	235	X		RS	Brushed matt stainless steel	without		98	3254776
60	72	8	20	235	X		LS	Brushed matt stainless steel	without	With low-friction latch (metal crank)	92	3132397
60	72	8	20	235	X		RS	Brushed matt stainless steel	without	With low-friction latch (metal crank)	92	3132396
60	72	8	20	235	X		LS	Brushed matt stainless steel	without	With softlock latch	92	3399685
60	72	8	20	235	X		RS	Brushed matt stainless steel	without	With softlock latch	92	3399687
60	72	8	20	235		X	LS	Brushed matt stainless steel	without		92	3318213
60	72	8	20	235		X	RS	Brushed matt stainless steel	without		92	3318215
60	72	9	20	235	X		LS	Brushed matt stainless steel	without		92	3269487
60	72	9	20	235	X		RS	Brushed matt stainless steel	without		92	3302320
65	72	8	20	235	X		LS	Brushed matt stainless steel	without		98	3269598
65	72	8	20	235	X		RS	Brushed matt stainless steel	without		98	3269599
65	72	8	20	235	X		LS	Brushed matt stainless steel	without	With low-friction latch (metal crank)	92	3158113
65	72	8	20	235	X		RS	Brushed matt stainless steel	without	With low-friction latch (metal crank)	92	3136859
65	72	8	20	235	X		LS	Brushed matt stainless steel	without	With softlock latch	92	3421968
65	72	8	20	235	X		RS	Brushed matt stainless steel	without	With softlock latch	92	3420179
65	72	8	20	235		X	LS	Brushed matt stainless steel	without		92	3324656
65	72	8	20	235		X	RS	Brushed matt stainless steel	without		92	3324657
70	72	8	20	235		X	LS	Brushed matt stainless steel	without		92	3374050



Properties and doors with increased use frequency



1133 1/2 PZW for rebated doors

prepared for profile cylinder, with lever latch, double-throw deadbolt.

Backset	PZ dimension	Spindle square	Face plate width	Shield length	Rounded	Angular	Direction	Face plate surface	Striker plate	Version	Material group	Material number
70	72	8	20	235		X	RS	Brushed matt stainless steel	without		92	3374051
80	72	8	20	235	X		LS	Brushed matt stainless steel	without		98	3284621
80	72	8	20	235	X		RS	Brushed matt stainless steel	without		98	3284620
80	72	8	20	235	X		LS	Brushed matt stainless steel	without	With softlock latch	92	3422601
80	72	8	20	235	X		RS	Brushed matt stainless steel	without	With softlock latch	92	3422603
80	72	8	20	235		X	LS	Brushed matt stainless steel	without		92	3328007
80	72	8	20	235		X	RS	Brushed matt stainless steel	without		92	3386080
80	72	9	20	235	X		LS	Brushed matt stainless steel	without		92	3133822
80	72	9	20	235	X		RS	Brushed matt stainless steel	without		92	3151869



1133 1/2 BB for rebated doors

Skeleton key lock with 1 key facon 104 without latch lever, double-throw deadbolt.

Backset	PZ dimension	Spindle square	Face plate width	Shield length	Rounded	Angular	Direction	Face plate surface	Striker plate	Version	Material group	Material number
55	72	8	20	235	X		LS	GE 1356 antique silver lacquered	without		92	3304455
55	72	8	20	235	X		RS	GE 1356 antique silver lacquered	without		92	3304456
55	72	8	20	235	X		LS	Polished brass	without		92	3294734
55	72	8	20	235	X		RS	Polished brass	without		92	3294736
55	72	8	20	235	X		LS	Brushed matt stainless steel	without		98	3270765
55	72	8	20	235	X		RS	Brushed matt stainless steel	without		98	3270766
55	72	8	20	235	X		LS	Brushed matt stainless steel	without	With softlock latch	92	3406051
55	72	8	20	235	X		RS	Brushed matt stainless steel	without	With softlock latch	92	3409056
65	72	8	20	235	X		LS	Brushed matt stainless steel	without		98	3317875
65	72	8	20	235	X		RS	Brushed matt stainless steel	without		98	3317874



1133 1/2 WC for rebated doors

Version for bathrooms with 8 mm spindle square, 10.5 mm single-throw deadbolt projection.

Backset	PZ dimension	Spindle square	Face plate width	Shield length	Rounded	Angular	Direction	Face plate surface	Striker plate	Version	Material group	Material number
55	78	8	18	235	X		LS	Brushed matt stainless steel	without	With softlock latch	92	3424991
55	78	8	18	235	X		RS	Brushed matt stainless steel	without	With softlock latch	92	3424992
55	78	8	20	235	X		LS	Brushed matt stainless steel	without		98	3200496
55	78	8	20	235	X		RS	Brushed matt stainless steel	without		98	3200495
55	78	8	20	235	X		LS	Brushed matt stainless steel	without	With low-friction latch (metal crank)	92	3133970



Locks

Properties and doors with increased use frequency

WC

1133 1/2 WC for rebated doors

Version for bathrooms with 8 mm spindle square, 10.5 mm single-throw deadbolt projection.

Backset	PZ dimension	Spindle square	Face plate width	Shield length	Rounded	Angular	Direction	Face plate surface	Striker plate	Version	Material group	Material number
55	78	8	20	235	X		RS	Brushed matt stainless steel	without	With low-friction latch (metal crank)	92	3133971
55	78	8	20	235	X		LS	Brushed matt stainless steel	without	With softlock latch	92	3406052
55	78	8	20	235	X		RS	Brushed matt stainless steel	without	With softlock latch	92	3398734
60	78	8	20	235	X		LS	Brushed matt stainless steel	without		98	3269600
60	78	8	20	235	X		RS	Brushed matt stainless steel	without		98	3269601
65	78	8	20	235	X		LS	Brushed matt stainless steel	without		98	3271913
65	78	8	20	235	X		RS	Brushed matt stainless steel	without		98	3271914



1133 PZW for flush doors

prepared for profile cylinder, with lever latch, double-throw deadbolt.

Backset	PZ dimension	Spindle square	Face plate width	Shield length	Rounded	Angular	Direction	Face plate surface	Striker plate	Version	Material group	Material number
55	72	8	24	235	X		LS	GE 1356 antique silver lacquered	without		92	3302073
55	72	8	24	235	X		RS	GE 1356 antique silver lacquered	without		92	3302074
55	72	8	24	235	X		LS	GE 1356 antique silver lacquered	without	With low-friction latch (metal crank)	92	3389548
55	72	8	24	235	X		RS	GE 1356 antique silver lacquered	without	With low-friction latch (metal crank)	92	3389547
55	72	8	24	235	X		LS	Brushed matt stainless steel	without		98	3298997
55	72	8	24	235	X		RS	Brushed matt stainless steel	without		98	3298998
55	72	8	24	235	X		LS	Brushed matt stainless steel	without	With low-friction latch (metal crank)	92	3307335
55	72	8	24	235	X		RS	Brushed matt stainless steel	without	With low-friction latch (metal crank)	92	3307334
55	72	8	24	235		X	LS	Brushed matt stainless steel	without		92	3312322
55	72	8	24	235		X	RS	Brushed matt stainless steel	without		92	3312321
60	72	10	24	235	X		LS	Brushed matt stainless steel	without		92	3138037
60	72	10	24	235	X		RS	Brushed matt stainless steel	without		92	3138034
60	72	8	24	235	X		LS	GE 1356 antique silver lacquered	without		92	3302075
60	72	8	24	235	X		RS	GE 1356 antique silver lacquered	without		92	3302076
60	72	8	24	235	X		LS	Brushed matt stainless steel	without		98	3273483
60	72	8	24	235	X		RS	Brushed matt stainless steel	without		98	3273484
60	72	8	24	235	X		LS	Brushed matt stainless steel	without	With low-friction latch (metal crank)	92	3132870
60	72	8	24	235	X		RS	Brushed matt stainless steel	without	With low-friction latch (metal crank)	92	3132871
60	72	8	24	235	X		LS	Brushed matt stainless steel	without	With softlock latch	92	3405034
60	72	8	24	235	X		RS	Brushed matt stainless steel	without	With softlock latch	92	3407628
60	72	8	24	235		X	LS	Brushed matt stainless steel	without		92	3316524
60	72	8	24	235		X	RS	Brushed matt stainless steel	without		92	3104528



Properties and doors with increased use frequency



1133 PZW for flush doors

prepared for profile cylinder, with lever latch, double-throw deadbolt.

Backset	PZ dimension	Spindle square	Face plate width	Shield length	Rounded	Angular	Direction	Face plate surface	Striker plate	Version	Material group	Material number
60	72	9	24	235	X		LS	Brushed matt stainless steel	without		92	3330822
60	72	9	24	235	X		RS	Brushed matt stainless steel	without		92	3130291
60	72	9	24	235	X		LS	Brushed matt stainless steel	without	With low-friction latch (metal crank)	92	3241360
60	72	9	24	235	X		RS	Brushed matt stainless steel	without	With low-friction latch (metal crank)	92	3241359
60	72	9	24	235		X	LS	Brushed matt stainless steel	without		92	3137001
60	72	9	24	235		X	RS	Brushed matt stainless steel	without		92	3137000
65	72	8	24	235	X		LS	Brushed matt stainless steel	without		98	3270965
65	72	8	24	235	X		RS	Brushed matt stainless steel	without		98	3279849
65	72	8	24	235		X	LS	Brushed matt stainless steel	without		92	3320528
65	72	8	24	235		X	RS	Brushed matt stainless steel	without		92	3320526
80	72	8	24	235	X		LS	Brushed matt stainless steel	without		92	3271909
80	72	8	24	235	X		RS	Brushed matt stainless steel	without		92	3104591
80	72	8	24	235	X		LS	Brushed matt stainless steel	without	With softlock latch	92	3432773
80	72	8	24	235	X		RS	Brushed matt stainless steel	without	With softlock latch	92	3432774



1133 BB for flush doors

Skeleton key lock with 1 key facon 104, double-throw deadbolt.

Backset	PZ dimension	Spindle square	Face plate width	Shield length	Rounded	Angular	Direction	Face plate surface	Striker plate	Version	Material group	Material number
55	72	8	24	235	X		LS	GE 1356 antique silver lacquered	without		92	3337211
55	72	8	24	235	X		RS	GE 1356 antique silver lacquered	without		92	3337212
55	72	8	24	235	X		LS	Brushed matt stainless steel	without		92	3315355
55	72	8	24	235	X		RS	Brushed matt stainless steel	without		92	3378535
55	72	8	24	235	X		LS	Brushed matt stainless steel	without	With softlock latch	92	3437330
55	72	8	24	235	X		RS	Brushed matt stainless steel	without	With softlock latch	92	3408504



1133 WC for flush doors

Version for bathrooms with 8 mm spindle square, 10.5 mm single-throw deadbolt projection.

Backset	PZ dimension	Spindle square	Face plate width	Shield length	Rounded	Angular	Direction	Face plate surface	Striker plate	Version	Material group	Material number
55	78	8	24	235	X		LS	GE 1356 antique silver lacquered	without		92	3302056
55	78	8	24	235	X		RS	GE 1356 antique silver lacquered	without		92	3302057
55	78	8	24	235	X		LS	Brushed matt stainless steel	without		98	3298999
55	78	8	24	235	X		RS	Brushed matt stainless steel	without		98	3299000



Locks

Properties and doors with increased use frequency

WC

1133 WC for flush doors

Version for bathrooms with 8 mm spindle square, 10.5 mm single-throw deadbolt projection.

Backset	PZ dimension	Spindle square	Face plate width	Shield length	Rounded	Angular	Direction	Face plate surface	Striker plate	Version	Material group	Material number
55	78	8	24	235	X		LS	Brushed matt stainless steel	without	With low-friction latch (metal crank)	92	3241271
55	78	8	24	235	X		RS	Brushed matt stainless steel	without	With low-friction latch (metal crank)	92	3307331
60	78	8	24	235	X		LS	Brushed matt stainless steel	without		98	3291067
60	78	8	24	235	X		RS	Brushed matt stainless steel	without		98	3291068
60	78	8	24	235	X		LS	Brushed matt stainless steel	without	With softlock latch	92	3412611
60	78	8	24	235	X		RS	Brushed matt stainless steel	without	With softlock latch	92	3412612
65	78	8	24	235	X		LS	Brushed matt stainless steel	without		98	3295745
65	78	8	24	235	X		RS	Brushed matt stainless steel	without		98	3295746

Suitable striker plates

For rebated doors									
Article	Striker plate type				Version				
	Angle striker plate	Flanged striker	U-profile striker plate	Flat striker	Angular	Rounded	Can be used DIN LH/DIN RH	with compression lobe	with PVC backing
1133 1/2									
1	X				X	X	X		
1-N	X				X	X	X	X	
4-3-N	X				X		X	X	
4-501-20N			X		X		X	X	X
4-501-28N			X		X		X	X	X
4-502-20N			X		X		X	X	X
4-502-28N			X		X		X	X	X
4-701N				X		X	X	X	
4F	X				X		X		X
4F-N	X				X		X	X	X

For flush doors									
Article	Striker plate type				Version				
	Angle striker plate	Flanged striker	U-profile striker plate	Flat striker	Angular	Rounded	Can be used DIN LH/DIN RH	with compression lobe	with PVC backing
1133									
5		X			X	X			
5-01		X			X	X	X		
5-01-N		X				X	X	X	
5-N		X			X	X		X	



63 1/2, 63

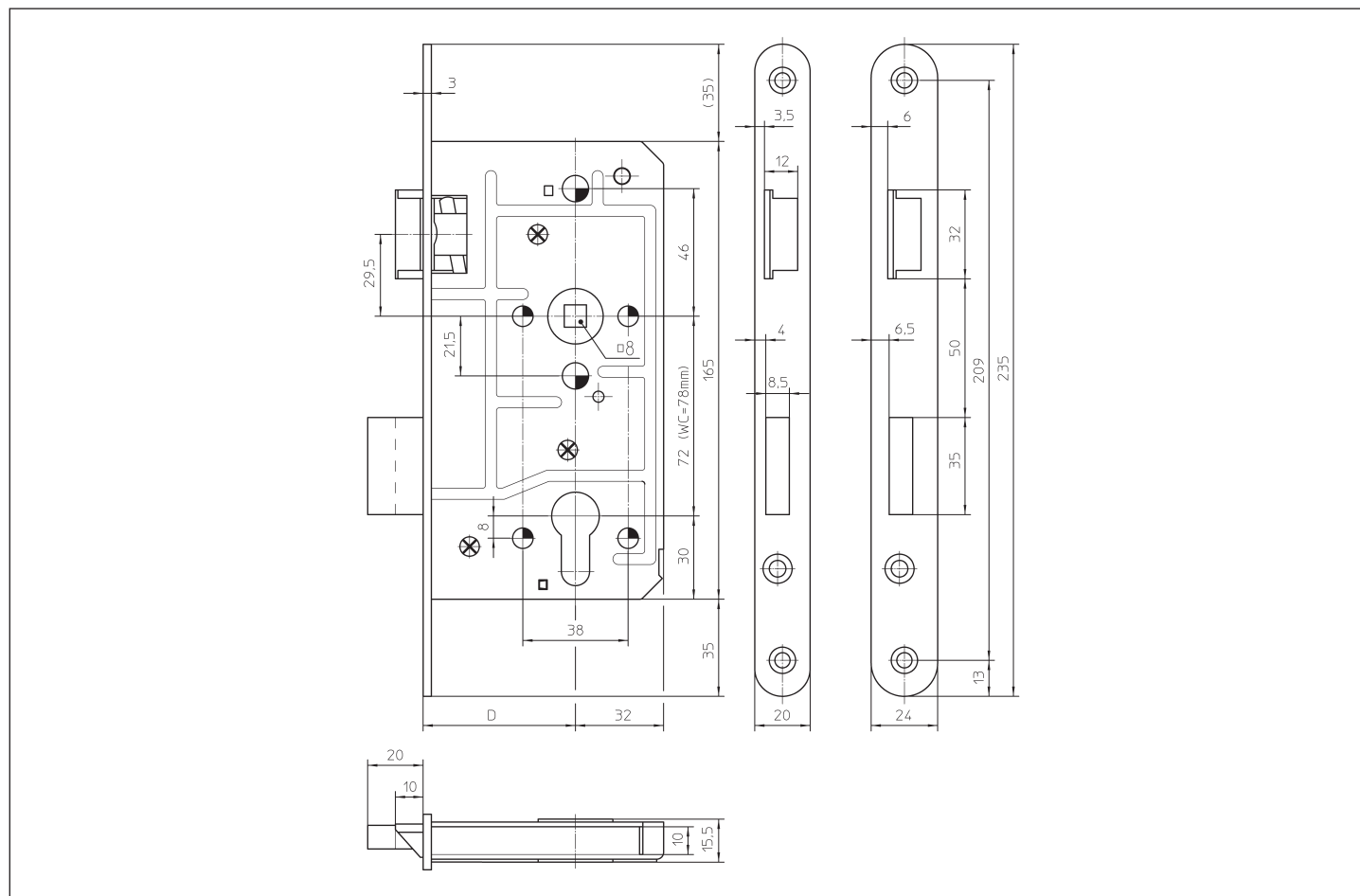
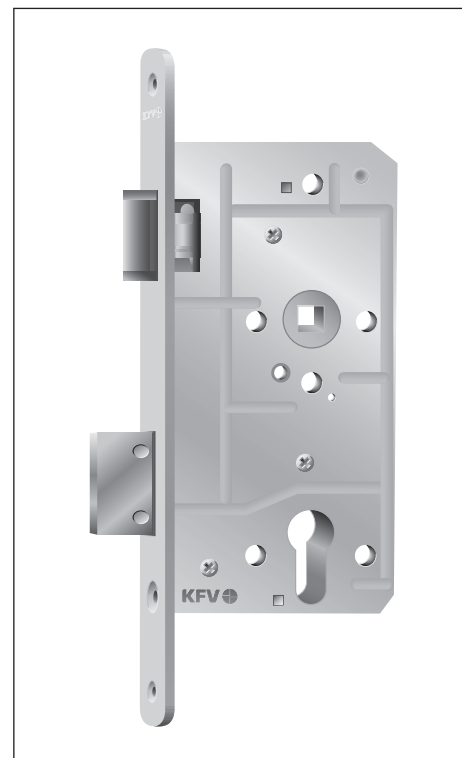
Mortise lock for doors with increased burglar resistance



WC

Article	For flush doors	For rebated doors DIN 18251-1	Classification according to EN 12209
63 1/2 PZW		Class 4	3S800D4BC20
63 1/2 WC		Class 4	3S800D4BD20
63 PZW	X		3S800D4BC20
63 WC	X		3S800D4BD20

Version
 Closed zinc-plated lock case,
 Lock cover screwed 3-fold,
 Bright nickel-plated latch and deadbolt,
 with 8 mm steel sash clamp spindle,
 with strong handle spring made of high-quality spring steel.





Locks

Properties and doors with increased burglar resistance



63 1/2 PZW for rebated doors

prepared for profile cylinder, with lever latch, double-throw deadbolt.

Backset	PZ dimension	Spindle square	Face plate width	Shield length	Rounded	Angular	Direction	Face plate surface	Striker plate	Version	Material group	Material number
55	72	8	20	235	X		LS	Brushed matt stainless steel	without		98	3403010
55	72	8	20	235	X		RS	Brushed matt stainless steel	without		98	3395975
60	72	8	20	235	X		LS	Brushed matt stainless steel	without		98	3405628
60	72	8	20	235	X		RS	Brushed matt stainless steel	without		98	3405629
65	72	8	20	235	X		LS	Brushed matt stainless steel	without		98	3407275
65	72	8	20	235	X		RS	Brushed matt stainless steel	without		98	3406588
80	72	8	20	235	X		LS	Brushed matt stainless steel	without		98	3403137
80	72	8	20	235	X		RS	Brushed matt stainless steel	without		98	3402862



63 1/2 WC for rebated doors

Version for bathrooms with 8 mm spindle square, 10.5 mm single-throw deadbolt projection.

Backset	PZ dimension	Spindle square	Face plate width	Shield length	Rounded	Angular	Direction	Face plate surface	Striker plate	Version	Material group	Material number
55	78	8	20	235	X		LS	Brushed matt stainless steel	without		98	3403247
55	78	8	20	235	X		RS	Brushed matt stainless steel	without		98	3403246



63 PZW for flush doors

prepared for profile cylinder, with lever latch, double-throw deadbolt.

Backset	PZ dimension	Spindle square	Face plate width	Shield length	Rounded	Angular	Direction	Face plate surface	Striker plate	Version	Material group	Material number
80	72	8	24	235	X		LS	Brushed matt stainless steel	without		92	3409664
80	72	8	24	235	X		RS	Brushed matt stainless steel	without		92	3409665



63 WC for flush doors

Version for bathrooms with 8 mm spindle square, 10.5 mm single-throw deadbolt projection.

Backset	PZ dimension	Spindle square	Face plate width	Shield length	Rounded	Angular	Direction	Face plate surface	Striker plate	Version	Material group	Material number
55	78	8	24	235	X		LS	Brushed matt stainless steel	without		98	3478827
55	78	8	24	235	X		RS	Brushed matt stainless steel	without		98	3478828



Properties and doors with increased burglar resistance

Suitable striker plates

For rebated doors									
Article	Striker plate type				Version				
	Angle striker plate	Flanged striker	U-profile striker plate	Flat striker	Angular	Rounded	Can be used DIN LH/DIN RH	with compression lobe	with PVC backing
63 1/2									
1	X				X	X	X		
1-N	X				X	X	X	X	
4-3-N	X				X		X	X	
4-501-20N			X		X		X	X	X
4-501-28N			X		X		X	X	X
4-502-20N			X		X		X	X	X
4-502-28N			X		X		X	X	X
4-701N				X		X	X	X	
4F	X				X		X		X
4F-N	X				X		X	X	X

For flush doors									
Article	Striker plate type				Version				
	Angle striker plate	Flanged striker	U-profile striker plate	Flat striker	Angular	Rounded	Can be used DIN LH/DIN RH	with compression lobe	with PVC backing
63									
5		X			X	X			
5-01		X			X	X	X		
5-01-N		X				X	X	X	
5-N		X			X	X		X	



Properties and doors with increased burglar resistance and use frequency



65 1/2 PZW for rebated doors

prepared for profile cylinder, with lever latch, double-throw deadbolt.

Backset	PZ dimension	Spindle square	Face plate width	Shield length	Rounded	Angular	Direction	Face plate surface	Striker plate	Version	Material group	Material number
55	72	8	20	235	X		LS	GE 1356 antique silver lacquered	without		92	3336750
55	72	8	20	235	X		RS	GE 1356 antique silver lacquered	without		92	3336749
55	72	8	20	235	X		LS	Brushed matt stainless steel	without		92	3132233
55	72	8	20	235	X		RS	Brushed matt stainless steel	without		92	3132234
60	72	8	20	235	X		LS	Brushed matt stainless steel	without		92	3130777
60	72	8	20	235	X		RS	Brushed matt stainless steel	without		92	3130776
60	72	8	20	235	X		LS	Brushed matt stainless steel	without	With low-friction latch (metal crank)	92	3148645
60	72	8	20	235	X		RS	Brushed matt stainless steel	without	With low-friction latch (metal crank)	92	3154522
65	72	8	20	235	X		LS	Brushed matt stainless steel	without		92	3118529
65	72	8	20	235	X		RS	Brushed matt stainless steel	without		92	3135414
65	72	8	20	235	X		LS	Brushed matt stainless steel	without	With low-friction latch (metal crank)	92	3173896
65	72	8	20	235	X		RS	Brushed matt stainless steel	without	With low-friction latch (metal crank)	92	3173895
70	72	8	20	235	X		LS	Brushed matt stainless steel	without		92	3132501
70	72	8	20	235	X		RS	Brushed matt stainless steel	without		92	3132500



65 1/2 WC for rebated doors

Version for bathrooms with 8 mm spindle square, 10.5 mm single-throw deadbolt projection.

Backset	PZ dimension	Spindle square	Face plate width	Shield length	Rounded	Angular	Direction	Face plate surface	Striker plate	Version	Material group	Material number
55	78	8	20	235	X		LS	Brushed matt stainless steel	without		92	3135261
55	78	8	20	235	X		RS	Brushed matt stainless steel	without		92	3137328



65 PZW for flush doors

prepared for profile cylinder, with lever latch, double-throw deadbolt.

Backset	PZ dimension	Spindle square	Face plate width	Shield length	Rounded	Angular	Direction	Face plate surface	Striker plate	Version	Material group	Material number
55	72	8	24	235	X		LS	Brushed matt stainless steel	without		92	3132673
55	72	8	24	235	X		RS	Brushed matt stainless steel	without		92	3135744
60	72	8	24	235	X		LS	Brushed matt stainless steel	without		92	3132125
60	72	8	24	235	X		RS	Brushed matt stainless steel	without		92	3132126
65	72	8	24	235	X		LS	Brushed matt stainless steel	without		92	3155573
65	72	8	24	235	X		RS	Brushed matt stainless steel	without		92	3159495
80	72	8	24	235	X		LS	Brushed matt stainless steel	without		92	3142666



Locks

Properties and doors with increased burglar resistance and use frequency



65 PZW for flush doors

prepared for profile cylinder, with lever latch, double-throw deadbolt.

Backset	PZ dimension	Spindle square	Face plate width	Shield length	Rounded	Angular	Direction	Face plate surface	Striker plate	Version	Material group	Material number
80	72	8	24	235	X		RS	Brushed matt stainless steel	without		92	3466680



65 WC for flush doors

Version for bathrooms with 8 mm spindle square, 10.5 mm single-throw deadbolt projection.

Backset	PZ dimension	Spindle square	Face plate width	Shield length	Rounded	Angular	Direction	Face plate surface	Striker plate	Version	Material group	Material number
55	78	8	24	235	X		LS	Brushed matt stainless steel	without		92	3177074
55	78	8	24	235	X		RS	Brushed matt stainless steel	without		92	3177075
65	78	8	24	235	X		LS	Brushed matt stainless steel	without		92	3163706
65	78	8	24	235	X		RS	Brushed matt stainless steel	without		92	3159874



Properties and doors with increased burglar resistance and use frequency

Suitable striker plates

For rebated doors									
Article	Striker plate type				Version				
	Angle striker plate	Flanged striker	U-profile striker plate	Flat striker	Angular	Rounded	Can be used DIN LH/DIN RH	with compression lobe	with PVC backing
65 1/2									
1	X				X	X	X		
1-N	X				X	X	X	X	
4-3-N	X				X		X	X	
4-501-20N			X		X		X	X	X
4-501-28N			X		X		X	X	X
4-502-20N			X		X		X	X	X
4-502-28N			X		X		X	X	X
4-701N				X		X	X	X	
4F	X				X		X		X
4F-N	X				X		X	X	X

For flush doors									
Article	Striker plate type				Version				
	Angle striker plate	Flanged striker	U-profile striker plate	Flat striker	Angular	Rounded	Can be used DIN LH/DIN RH	with compression lobe	with PVC backing
65									
5		X			X	X			
5-01		X			X	X	X		
5-01-N		X				X	X	X	
5-N		X			X	X		X	



Locks

Special doors / deadbolts

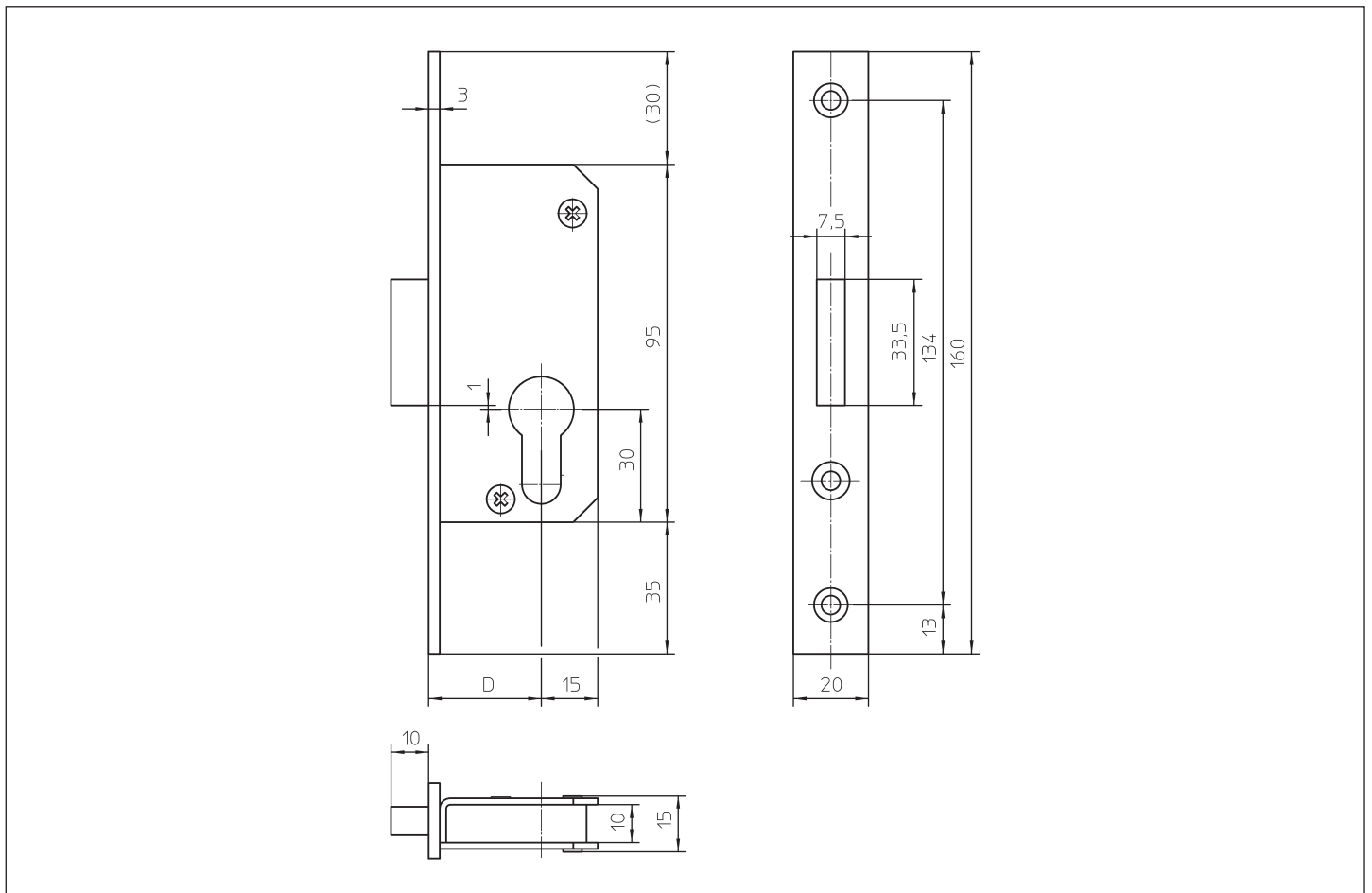
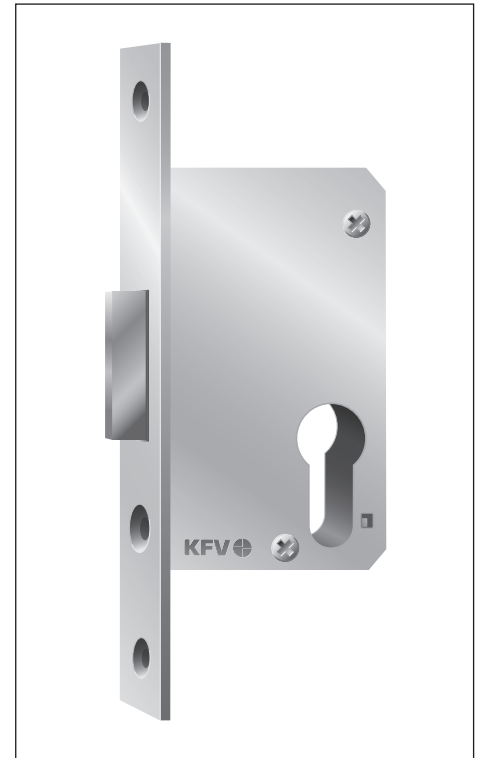
205

Mortise deadbolt lock



Article	For flush doors	For rebated doors	Classification according to EN 12209
205 PZ	X	X	

Version
Bright zinc-plated deadbolt, zinc-plated lock case.





205 PZ

prepared for profile cylinder, single-throw deadbolt.

Backset	PZ dimension	Spindle square	Face plate width	Shield length	Rounded	Angular	Direction	Face plate surface	Striker plate	Version	Material group	Material number
25	-	-	20	160		X	R/L	GE 1356 antique silver lacquered	with		92	3325546
30	-	-	20	160		X	R/L	GE 1356 antique silver lacquered	with		92	3325549
35	-	-	20	160		X	R/L	GE 1356 antique silver lacquered	with		92	3325547
40	-	-	20	160		X	R/L	GE 1356 antique silver lacquered	with		92	3325548
45	-	-	20	160		X	R/L	GE 1356 antique silver lacquered	with		92	3340765
50	-	-	20	160		X	R/L	GE 1356 antique silver lacquered	with		92	3333683

Suitable striker plates

Article	Striker plate type				Version				
	Angle striker plate	Flanged striker	U-profile striker plate	Flat striker	Angular	Rounded	Can be used DIN LH/DIN RH	with compression lobe	with PVC backing
205									
0211				X	X	X	X		



Locks

Special doors / deadbolts

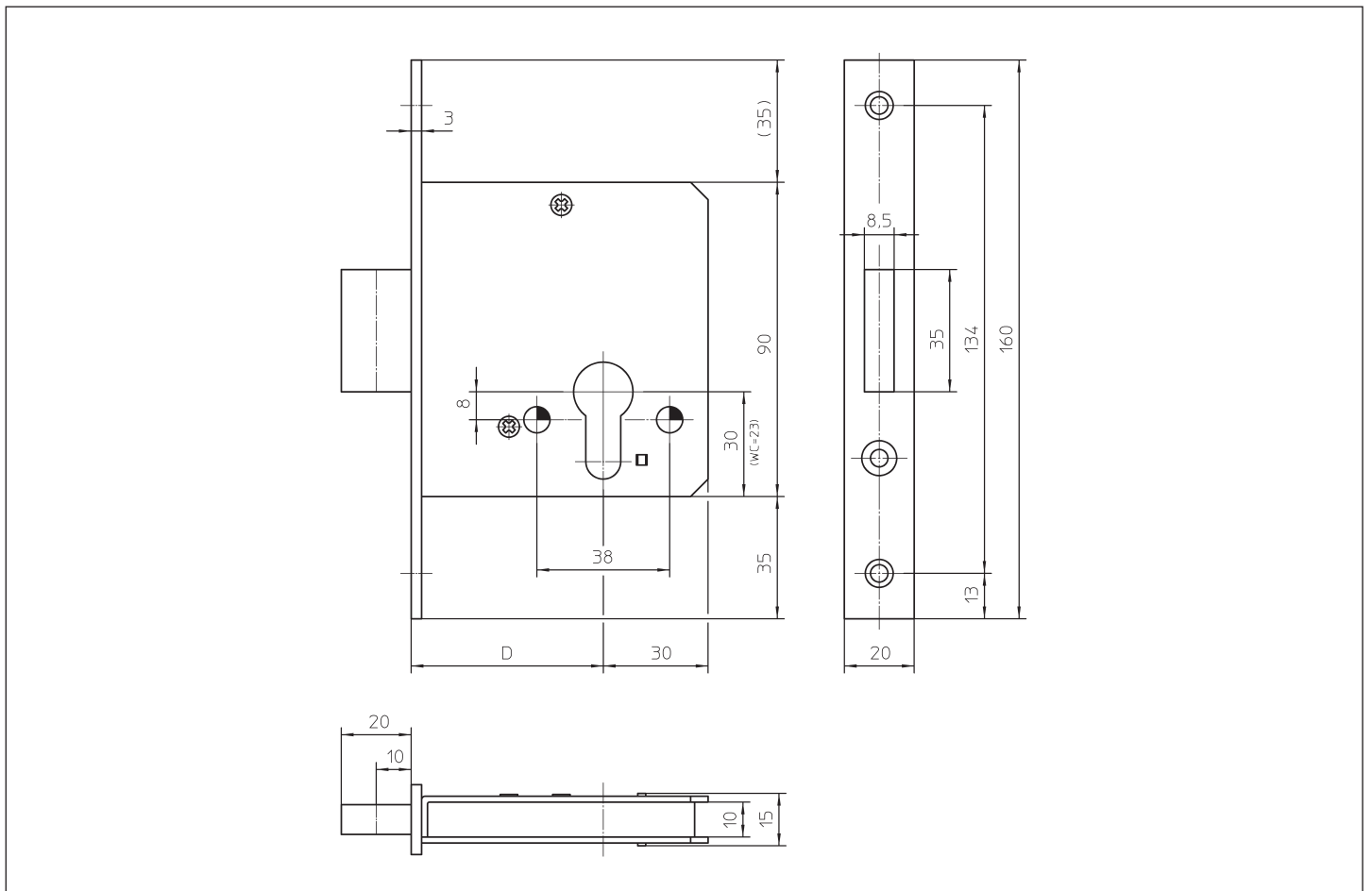
211

Mortise deadbolt lock, medium-duty version.



Article	For flush doors	For rebated doors	Classification according to EN 12209
211 PZ	X	X	
211 WC	X	X	

Version
Gloss nickel-plated deadbolt zinc-plated lock case.





211 PZ

prepared for profile cylinder, double-throw deadbolt.

Backset	PZ dimension	Spindle square	Face plate width	Shield length	Rounded	Angular	Direction	Face plate surface	Striker plate	Version	Material group	Material number
55	-	-	20	157	X		R/L	GE 1356 antique silver lacquered	with		98	3332556
55	-	-	20	157	X		R/L	Brushed matt stainless steel	with		92	3109976
55	-	-	20	160		X	R/L	GE 1356 antique silver lacquered	with		98	3299609
55	-	-	20	160		X	R/L	Brushed matt stainless steel	with		98	3109981
60	-	-	20	160		X	R/L	GE 1356 antique silver lacquered	with		98	3333684
65	-	-	20	160		X	R/L	GE 1356 antique silver lacquered	with		98	3330479
65	-	-	20	160		X	R/L	Brushed matt stainless steel	with		98	3110004
80	-	-	20	160		X	R/L	GE 1356 antique silver lacquered	with		92	3354276
80	-	-	20	160		X	R/L	Brushed matt stainless steel	with		92	3110025



211 WC

Version for bathrooms with 8 mm spindle square, 10.5 mm single-throw deadbolt projection.

Backset	PZ dimension	Spindle square	Face plate width	Shield length	Rounded	Angular	Direction	Face plate surface	Striker plate	Version	Material group	Material number
55	-	8	20	157	X		R/L	GE 1356 antique silver lacquered	with		92	3361538
55	-	8	20	160		X	R/L	GE 1356 antique silver lacquered	with		98	3333687
55	-	8	20	160		X	R/L	Brushed matt stainless steel	with		92	3109927
55	-	8	24	160		X	R/L	GE 1356 antique silver lacquered	with		92	3403297
60	-	8	20	160		X	R/L	Brushed matt stainless steel	with		92	3139526

Suitable striker plates

Article	Striker plate type				Version				
	Angle striker plate	Flanged striker	U-profile striker plate	Flat striker	Angular	Rounded	Can be used DIN LH/DIN RH	with compression lobe	with PVC backing
211									
0211				X	X	X	X		



Locks

Special doors / latches

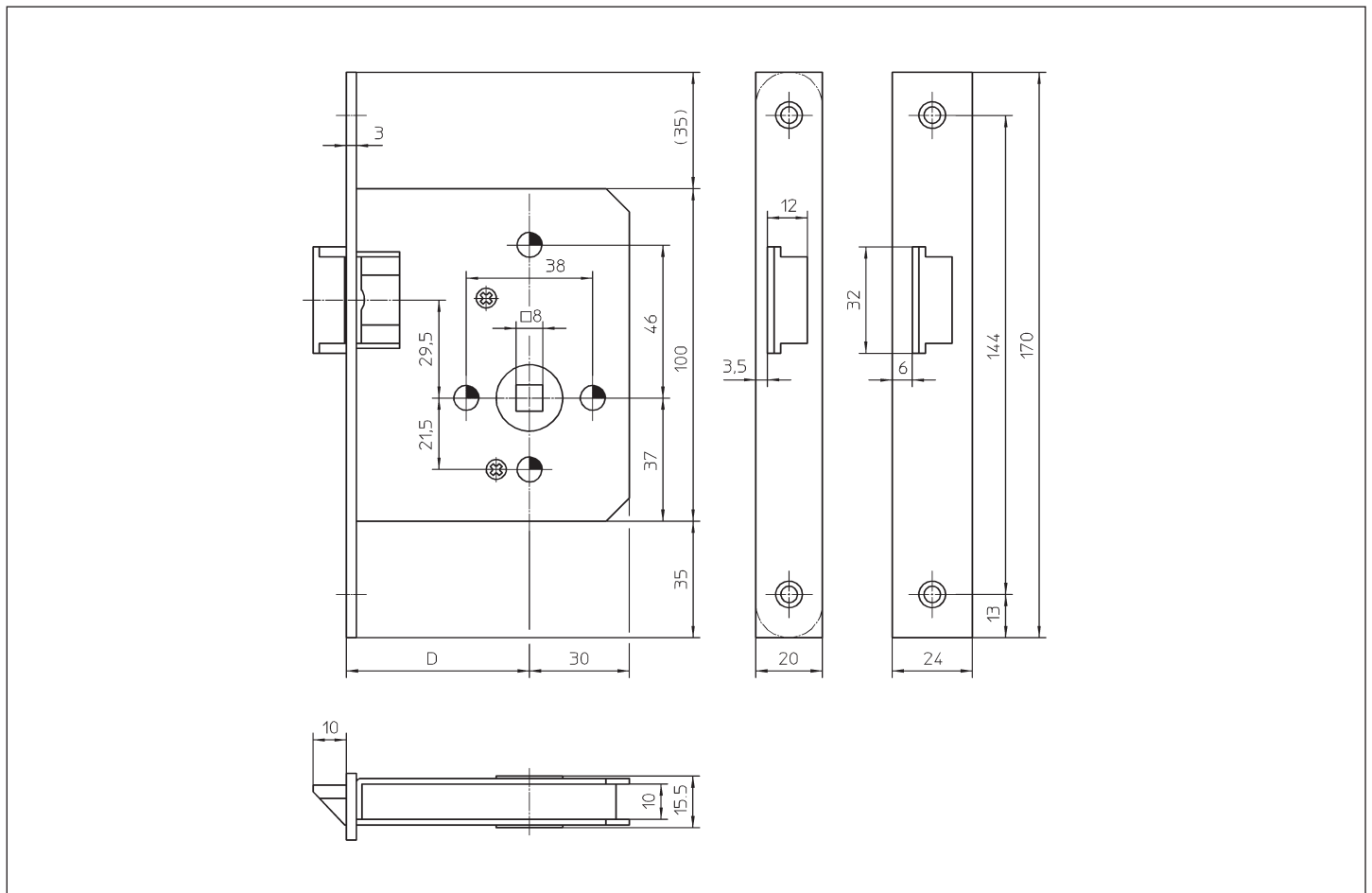
429 1/2, 429

Mortise latch lock, medium-duty version.



Article	For flush doors	For rebated doors	Classification according to EN 12209
429 1/2		X	
429	X		

Version
Bright zinc-plated deadbolt, zinc-plated lock case, with 8 mm steel sash clamp spindle.





429 1/2 for rebated doors
as latch lock (without deadbolt)

Backset	PZ dimension	Spindle square	Face plate width	Shield length	Rounded	Angular	Direction	Face plate surface	Striker plate	Version	Material group	Material number
55	-	8	20	170	X		LS	GE 1356 antique silver lacquered	with		92	3311488
55	-	8	20	170	X		RS	GE 1356 antique silver lacquered	with		92	3311489
55	-	8	20	170		X	LS	GE 1356 antique silver lacquered	with		98	3327053
55	-	8	20	170		X	RS	GE 1356 antique silver lacquered	with		98	3348812
55	-	8	20	170		X	LS	Brushed matt stainless steel	with		98	3115163
55	-	8	20	170		X	RS	Brushed matt stainless steel	with		98	3115171

429 for flush doors
as latch lock (without deadbolt)

Backset	PZ dimension	Spindle square	Face plate width	Shield length	Rounded	Angular	Direction	Face plate surface	Striker plate	Version	Material group	Material number
55	-	8	24	170		X	LS	GE 1356 antique silver lacquered	with		92	3333685
55	-	8	24	170		X	RS	GE 1356 antique silver lacquered	with		92	3333686
60	-	8	24	170		X	LS	GE 1356 antique silver lacquered	with		92	3378524
60	-	8	24	170		X	RS	GE 1356 antique silver lacquered	with		92	3378523

Suitable striker plates

For rebated doors												
Article	Striker plate type				Version							
	429 1/2	Angle striker plate	Flanged striker	U-profile striker plate	Flat striker	Angular	Rounded	Can be used DIN LH/DIN RH	with compression lobe	with PVC backing		
X					X	X	X					

For flush doors												
Article	Striker plate type				Version							
	429	Angle striker plate	Flanged striker	U-profile striker plate	Flat striker	Angular	Rounded	Can be used DIN LH/DIN RH	with compression lobe	with PVC backing		
		X			X	X	X					



486 PZ

prepared for profile cylinder, double-throw deadbolt.

Backset	PZ dimension	Spindle square	Face plate width	Shield length	Rounded	Angular	Direction	Face plate surface	Striker plate	Version	Material group	Material number
55	-	-	20	232	X		R/L	GE 1356 antique silver lacquered	with		92	3325390
55	-	-	24	232	X		R/L	GE 1356 antique silver lacquered	with		98	3333485
55	-	-	24	232	X		R/L	Brushed matt stainless steel	with		92	3115864
55	-	-	24	235		X	R/L	GE 1356 antique silver lacquered	with		98	3327054
55	-	-	24	235		X	R/L	Brushed matt stainless steel	with		98	3115869
60	-	-	24	232	X		R/L	Brushed matt stainless steel	with		92	3115877
60	-	-	24	235		X	R/L	GE 1356 antique silver lacquered	with		92	3374929
65	-	-	24	235		X	R/L	GE 1356 antique silver lacquered	with		98	3354279
65	-	-	24	235		X	R/L	Brushed matt stainless steel	with		92	3115895

Suitable striker plates

Article	Striker plate type				Version				
	Angle striker plate	Flanged striker	U-profile striker plate	Flat striker	Angular	Rounded	Can be used DIN LH/DIN RH	with compression lobe	with PVC backing
486									
0486				X	X	X	X		



521 1/2 PZW for rebated doors

prepared for profile cylinder, with lever latch, single-throw deadbolt.

Backset	PZ dimension	Spindle square	Face plate width	Shield length	Rounded	Angular	Direction	Face plate surface	Striker plate	Version	Material group	Material number
25	72	8	20	235		X	LS	GE 1356 antique silver lacquered	with		98	3330478
25	72	8	20	235		X	RS	GE 1356 antique silver lacquered	with		98	3324307
30	72	8	20	235		X	LS	GE 1356 antique silver lacquered	with		98	3325746
30	72	8	20	235		X	RS	GE 1356 antique silver lacquered	with		98	3324303
35	72	8	20	235	X		LS	GE 1356 antique silver lacquered	without		92	3329598
35	72	8	20	235	X		RS	GE 1356 antique silver lacquered	without		92	3372716
35	72	8	20	235		X	LS	GE 1356 antique silver lacquered	without		92	3370250
35	72	8	20	235		X	LS	GE 1356 antique silver lacquered	with		98	3325747
35	72	8	20	235		X	RS	GE 1356 antique silver lacquered	without		92	3370251
35	72	8	20	235		X	RS	GE 1356 antique silver lacquered	with		98	3325805
40	72	8	20	235	X		LS	GE 1356 antique silver lacquered	without		92	3322947
40	72	8	20	235	X		LS	GE 1356 antique silver lacquered	with		92	3307187
40	72	8	20	235	X		RS	GE 1356 antique silver lacquered	without		92	3322950
40	72	8	20	235	X		RS	GE 1356 antique silver lacquered	with		92	3327051
40	72	8	20	235		X	LS	GE 1356 antique silver lacquered	without		92	3361220
40	72	8	20	235		X	LS	GE 1356 antique silver lacquered	with		98	3325806
40	72	8	20	235		X	RS	GE 1356 antique silver lacquered	without		92	3372261
40	72	8	20	235		X	RS	GE 1356 antique silver lacquered	with		98	3324304
45	72	8	20	235	X		LS	GE 1356 antique silver lacquered	without		92	3372920
45	72	8	20	235	X		LS	GE 1356 antique silver lacquered	with		92	3317333
45	72	8	20	235	X		RS	GE 1356 antique silver lacquered	without		92	3372717
45	72	8	20	235	X		RS	GE 1356 antique silver lacquered	with		92	3327052
45	72	8	20	235		X	LS	GE 1356 antique silver lacquered	without		92	3369080
45	72	8	20	235		X	LS	GE 1356 antique silver lacquered	with		98	3324305
45	72	8	20	235		X	RS	GE 1356 antique silver lacquered	without		92	3369082
45	72	8	20	235		X	RS	GE 1356 antique silver lacquered	with		98	3325807
50	72	8	20	235	X		LS	GE 1356 antique silver lacquered	without		92	3396335
50	72	8	20	235	X		LS	GE 1356 antique silver lacquered	with		92	3377127
50	72	8	20	235	X		RS	GE 1356 antique silver lacquered	without		92	3396364
50	72	8	20	235	X		RS	GE 1356 antique silver lacquered	with		92	3377128
50	72	8	20	235		X	LS	GE 1356 antique silver lacquered	with		98	3324306
50	72	8	20	235		X	RS	GE 1356 antique silver lacquered	with		98	3325809



Locks

Glass doors



521 PZW for flush doors

prepared for profile cylinder, with lever latch, single-throw deadbolt.

Backset	PZ dimension	Spindle square	Face plate width	Shield length	Rounded	Angular	Direction	Face plate surface	Striker plate	Version	Material group	Material number
25	72	8	24	235		X	LS	GE 1356 antique silver lacquered	with		92	3384691
25	72	8	24	235		X	RS	GE 1356 antique silver lacquered	with		92	3384692
30	72	8	24	235		X	LS	GE 1356 antique silver lacquered	with		92	3364967
30	72	8	24	235		X	RS	GE 1356 antique silver lacquered	with		92	3364968
35	72	8	24	235		X	LS	GE 1356 antique silver lacquered	with		92	3364961
35	72	8	24	235		X	RS	GE 1356 antique silver lacquered	with		92	3364962
35	72	8	24	235		X	LS	Brushed matt stainless steel	with		92	3149592
35	72	8	24	235		X	RS	Brushed matt stainless steel	with		92	3194235
40	72	8	24	235		X	LS	GE 1356 antique silver lacquered	with		92	3364963
40	72	8	24	235		X	RS	GE 1356 antique silver lacquered	with		92	3364965
45	72	8	24	235		X	LS	GE 1356 antique silver lacquered	with		92	3364966
45	72	8	24	235		X	RS	GE 1356 antique silver lacquered	with		92	3321821
45	72	8	24	235		X	LS	Brushed matt stainless steel	with		92	3174643
45	72	8	24	235		X	RS	Brushed matt stainless steel	with		92	3201374
50	72	8	24	235		X	LS	GE 1356 antique silver lacquered	with		92	3376631
50	72	8	24	235		X	RS	GE 1356 antique silver lacquered	with		92	3373180

Suitable striker plates

For rebated doors									
Article	Striker plate type				Version				
	521 1/2	Angle striker plate	Flanged striker	U-profile striker plate	Flat striker	Angular	Rounded	Can be used DIN LH/DIN RH	with compression lobe
X					X	X	X		
1									

For flush doors									
Article	Striker plate type				Version				
	521	Angle striker plate	Flanged striker	U-profile striker plate	Flat striker	Angular	Rounded	Can be used DIN LH/DIN RH	with compression lobe
		X			X	X			
5									



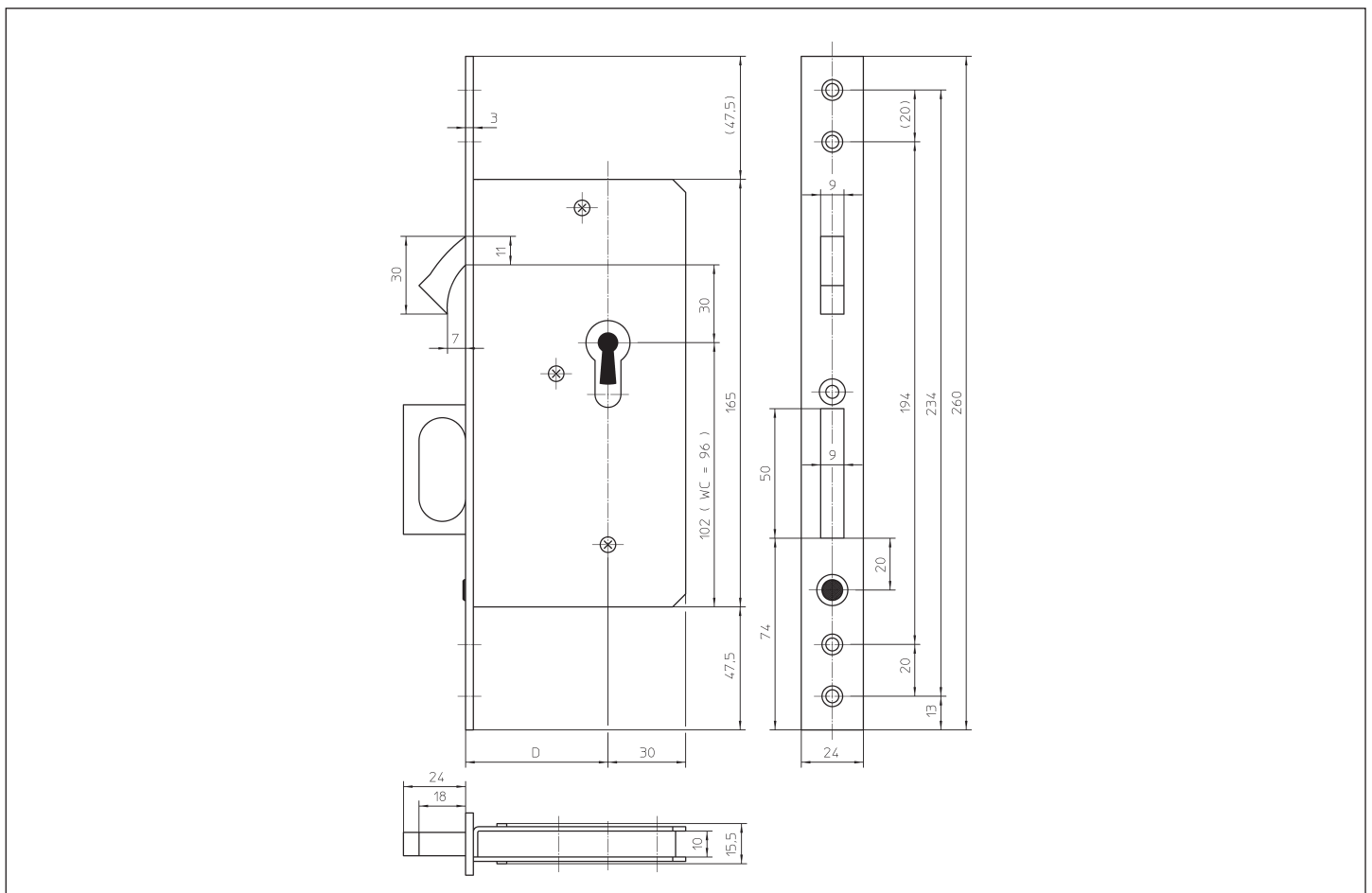
1609

Mortise sliding door lock with hookbolt and pull handle, fits the counter-lock case 1608 G.



Article	For flush doors	For rebated doors	Classification according to EN 12209
1609 PZ			
1609 BB			
1609 WC			

Version
Zinc-plated lock case, Bright zinc-plated hookbolt and pull handle.





Locks

Sliding doors



1609 PZ

prepared for profile cylinder.

Backset	PZ dimension	Spindle square	Face plate width	Shield length	Rounded	Angular	Direction	Face plate surface	Striker plate	Version	Material group	Material number
55	-	-	20	257	X		R/L	Brushed matt stainless steel	with		92	3127500
55	-	-	20	260		X	R/L	GE 1356 antique silver lacquered	with		98	3335912
55	-	-	24	260		X	R/L	GE 1356 antique silver lacquered	with		98	3321838
55	-	-	24	260		X	R/L	Brushed matt stainless steel	with		98	3108334



1609 BB

Skeleton key lock with 1 facon 18.

Backset	PZ dimension	Spindle square	Face plate width	Shield length	Rounded	Angular	Direction	Face plate surface	Striker plate	Version	Material group	Material number
55	-	-	20	257	X		R/L	GE 1356 antique silver lacquered	with		92	3343775
55	-	-	20	260	X		R/L	GE 1356 antique silver lacquered	with		92	3376977
55	-	-	20	257	X		R/L	Brushed matt stainless steel	with		92	3141691
55	-	-	20	260		X	R/L	GE 1356 antique silver lacquered	with		98	3333426
55	-	-	24	260		X	R/L	GE 1356 antique silver lacquered	with		98	3322840
55	-	-	24	260		X	R/L	Brushed matt stainless steel	with		98	3108287



1609 WC

Version for bathrooms with 8 mm spindle square.

Backset	PZ dimension	Spindle square	Face plate width	Shield length	Rounded	Angular	Direction	Face plate surface	Striker plate	Version	Material group	Material number
55	-	-	24	260		X	R/L	GE 1356 antique silver lacquered	with		92	3386945
55	-	-	24	260		X	R/L	Brushed matt stainless steel	with		98	3168459



Suitable striker plates

Article	Striker plate type				Version				
	Angle striker plate	Flanged striker	U-profile striker plate	Flat striker	Angular	Rounded	Can be used DIN LH/DIN RH	with compression lobe	with PVC backing
1609									
0631				X	X	X	X		



Locks

Sliding doors

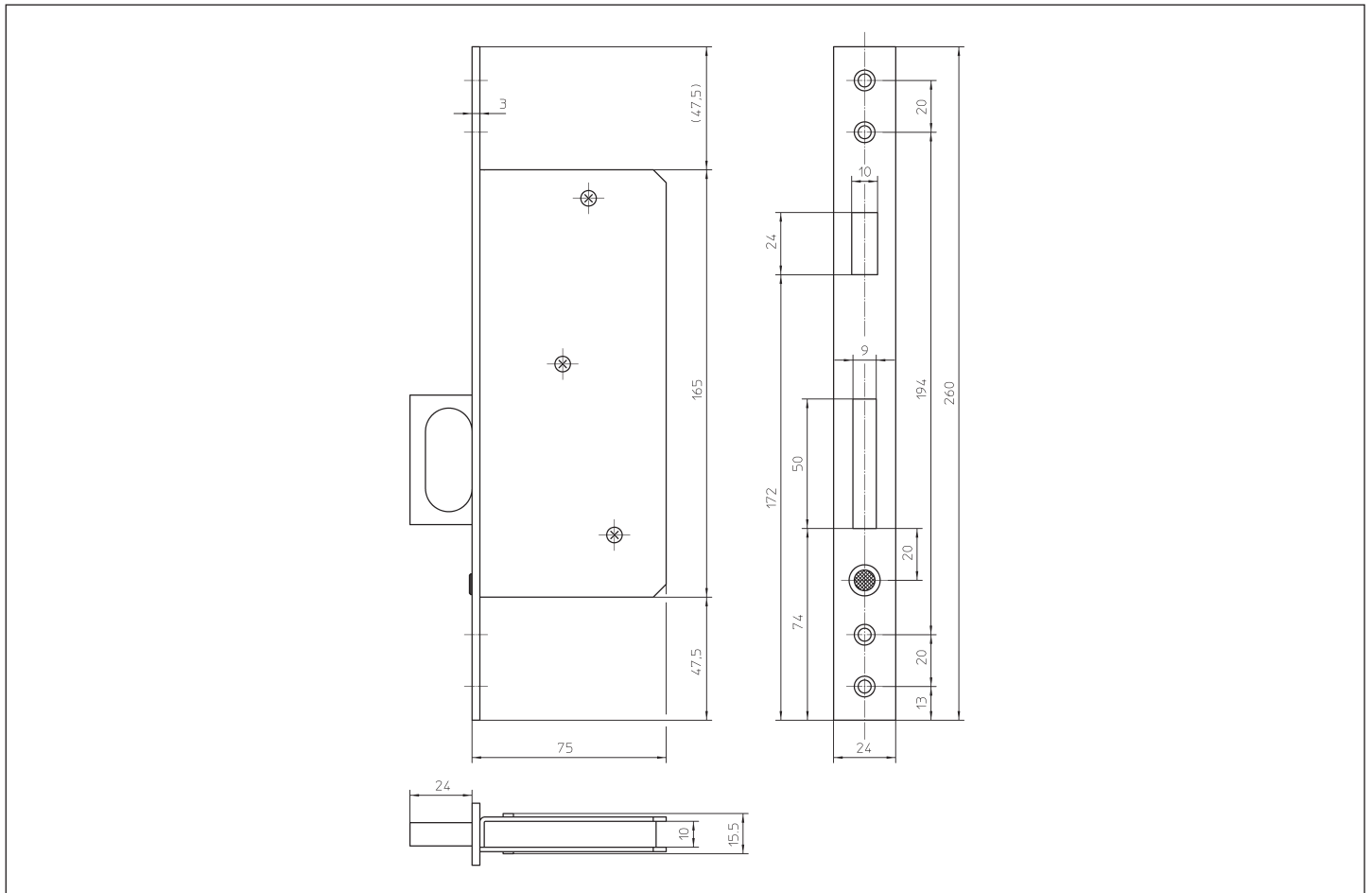
1608 G

Mortise sliding door counter-lock case with pull handle, fits mortise sliding door lock 1609.



Article	For flush doors	For rebated doors	Classification according to EN 12209
1608 G			

Version
Zinc-plated lock case, bright nickel-plated pull handle.





1608 G

Backset	PZ dimension	Spindle square	Face plate width	Shield length	Rounded	Angular	Direction	Face plate surface	Striker plate	Version	Material group	Material number
-	-	-	20	257	X		R/L	GE 1356 antique silver lacquered	without		92	3343774
-	-	-	20	257	X		R/L	Brushed matt stainless steel	without		92	3141692
-	-	-	20	260		X	R/L	GE 1356 antique silver lacquered	without		92	3333427
-	-	-	20	260		X	R/L	Brushed matt stainless steel	without		92	3256802
-	-	-	24	260		X	R/L	Brushed matt stainless steel	without		98	3108240
-	-	-	24	260		X	R/L	GE 1356 antique silver lacquered	without		98	3398595



Locks

Sliding doors

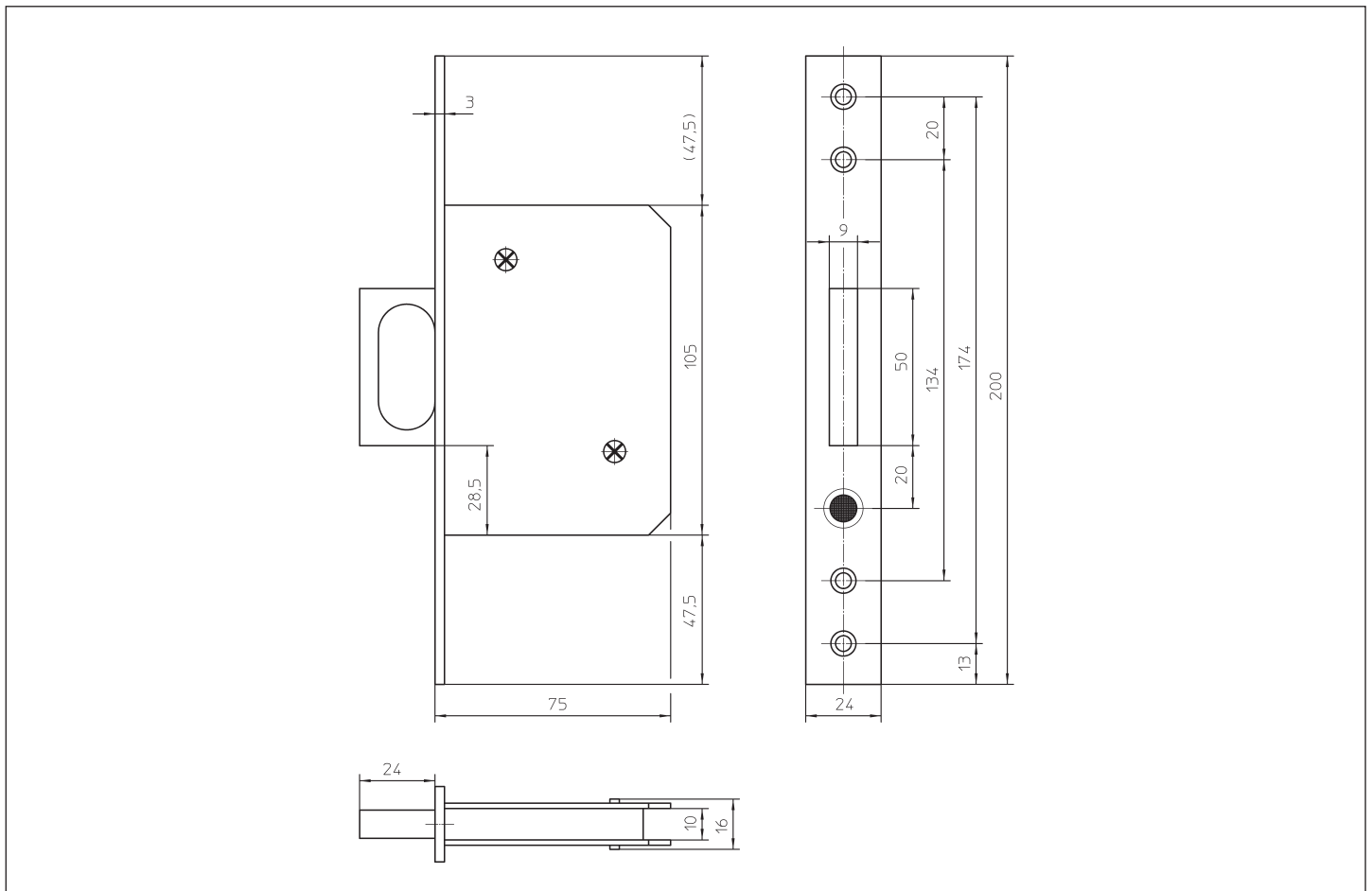
1650

Mortise pull for sliding doors.



Article	For flush doors	For rebated doors	Classification according to EN 12209
1650			

Version
Zinc-plated lock case, bright nickel-plated pull handle.





1650

Backset	PZ dimension	Spindle square	Face plate width	Shield length	Rounded	Angular	Direction	Face plate surface	Striker plate	Version	Material group	Material number
-	-	-	24	197	X		R/L	GE 1356 antique silver lacquered	without		92	3341993
-	-	-	24	197	X		R/L	Brushed matt stainless steel	without		92	3108659
-	-	-	24	200		X	R/L	GE 1356 antique silver lacquered	without		92	3306705
-	-	-	24	200		X	R/L	Brushed matt stainless steel	without		92	3108664
-	-	-	20	197	X		R/L	GE 1356 antique silver lacquered	without		92	3323435
-	-	-	20	197	X		R/L	Brushed matt stainless steel	without		92	3108650
-	-	-	20	200		X	R/L	GE 1356 antique silver lacquered	without		92	3328163
-	-	-	20	200		X	R/L	Brushed matt stainless steel	without		92	3133294



Locks

Sliding doors

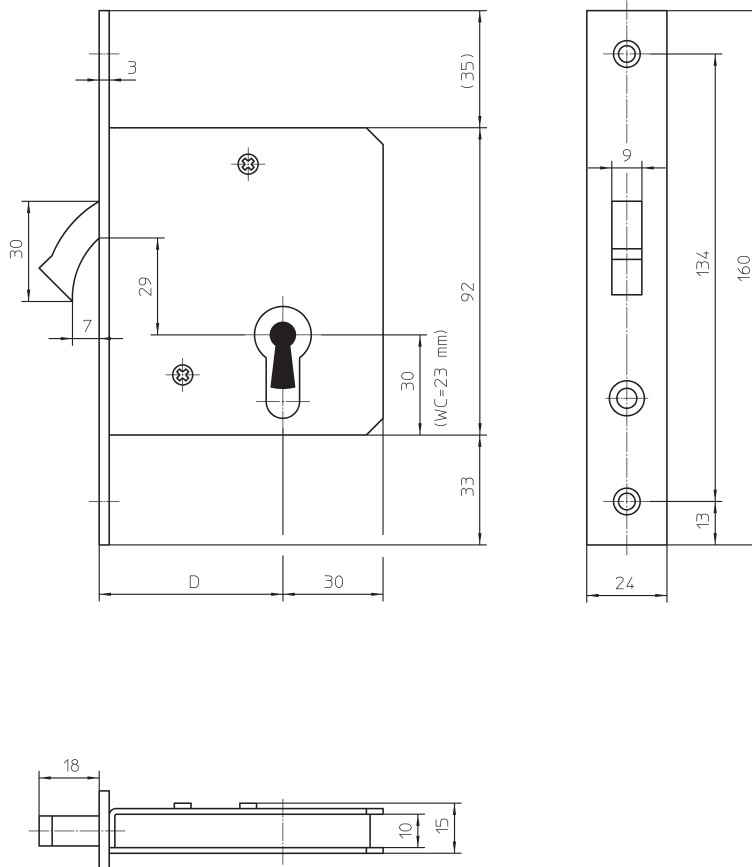
1620

Mortise sliding door lock, medium-duty version, with hookbolt.



Article	For flush doors	For rebated doors	Classification according to EN 12209
1620 PZ			
1620 BB			
1620 WC			

Version
Zinc-plated lock case, bright nickel-plated hookbolt.





1620 PZ

prepared for profile cylinder.

Backset	PZ dimension	Spindle square	Face plate width	Shield length	Rounded	Angular	Direction	Face plate surface	Striker plate	Version	Material group	Material number
55	-	-	20	157	X		R/L	GE 1356 antique silver lacquered	with		98	3332121
55	-	-	20	160	X		R/L	GE 1356 antique silver lacquered	with		92	3346959
55	-	-	20	157	X		R/L	Brushed matt stainless steel	with		92	3108447
55	-	-	20	160		X	R/L	GE 1356 antique silver lacquered	with		98	3321537
55	-	-	24	157	X		R/L	GE 1356 antique silver lacquered	with		92	3350876
55	-	-	24	160		X	R/L	GE 1356 antique silver lacquered	with		98	3309350
55	-	-	24	160		X	R/L	Brushed matt stainless steel	with		98	3108457



1620 BB

Skeleton key lock with 1 facon 18 folding ring key.

Backset	PZ dimension	Spindle square	Face plate width	Shield length	Rounded	Angular	Direction	Face plate surface	Striker plate	Version	Material group	Material number
55	-	-	20	157	X		R/L	GE 1356 antique silver lacquered	with		98	3305172
55	-	-	20	160	X		R/L	GE 1356 antique silver lacquered	with		92	3373128
55	-	-	20	157	X		R/L	Brushed matt stainless steel	with		92	3148805
55	-	-	20	160		X	R/L	GE 1356 antique silver lacquered	with		98	3321536
55	-	-	24	160		X	R/L	GE 1356 antique silver lacquered	with		98	3309349



1620 WC

Version for bathrooms with 8 mm spindle square.

Backset	PZ dimension	Spindle square	Face plate width	Shield length	Rounded	Angular	Direction	Face plate surface	Striker plate	Version	Material group	Material number
55	-	8	20	157	X		R/L	Brushed matt stainless steel	with		92	3134265
55	-	8	20	157	X		R/L	GE 1356 antique silver lacquered	with		98	3332215
55	-	8	20	160		X	R/L	GE 1356 antique silver lacquered	with		98	3341155
55	-	8	24	157	X		R/L	Brushed matt stainless steel	with		92	3108373
55	-	8	24	160		X	R/L	GE 1356 antique silver lacquered	with		98	3324664
55	-	8	24	160		X	R/L	Brushed matt stainless steel	with		98	3108377



Suitable striker plates

Article	Striker plate type				Version				
	Angle striker plate	Flanged striker	U-profile striker plate	Flat striker	Angular	Rounded	Can be used DIN LH/DIN RH	with compression lobe	with PVC backing
1620									
0631				X	X	X	X		



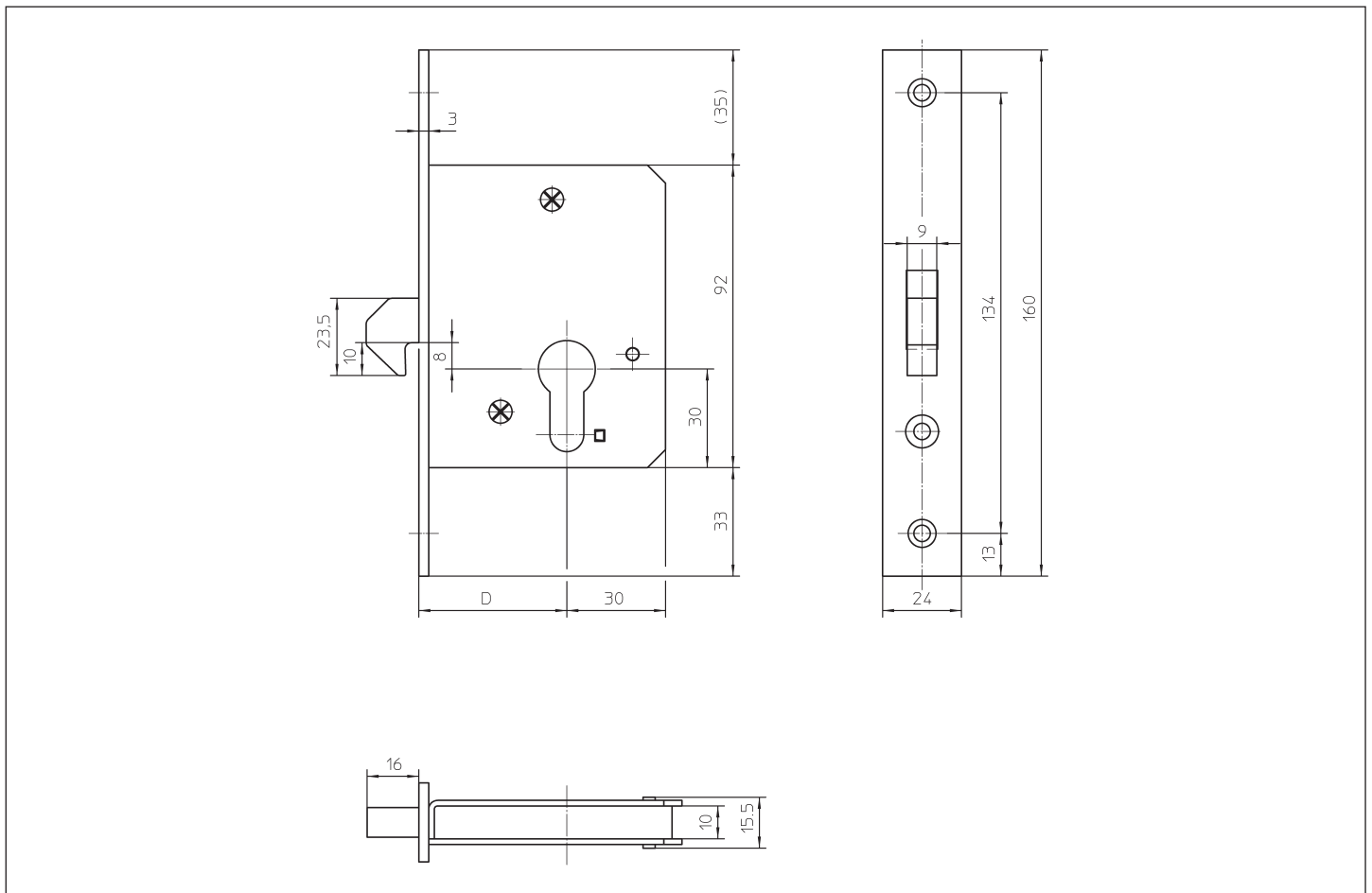
1621

Mortise sliding door lock with lifting hookbolt.



Article	For flush doors	For rebated doors	Classification according to EN 12209
1621 PZW			

Version
Zinc-plated lock case, Bright nickel-plated hookbolt, not lockable.





Locks

Sliding doors



1621 PZW

prepared for profile cylinder, with lever latch.

Backset	PZ dimension	Spindle square	Face plate width	Shield length	Rounded	Angular	Direction	Face plate surface	Striker plate	Version	Material group	Material number
55	-	-	20	157	X		R/L	GE 1356 antique silver lacquered	with		92	3373129
55	-	-	24	160		X	R/L	GE 1356 antique silver lacquered	with		92	3337199

Suitable striker plates

Article	Striker plate type				Version				
	Angle striker plate	Flanged striker	U-profile striker plate	Flat striker	Angular	Rounded	Can be used DIN LH/DIN RH	with compression lobe	with PVC backing
1621									
0631				X	X	X	X		

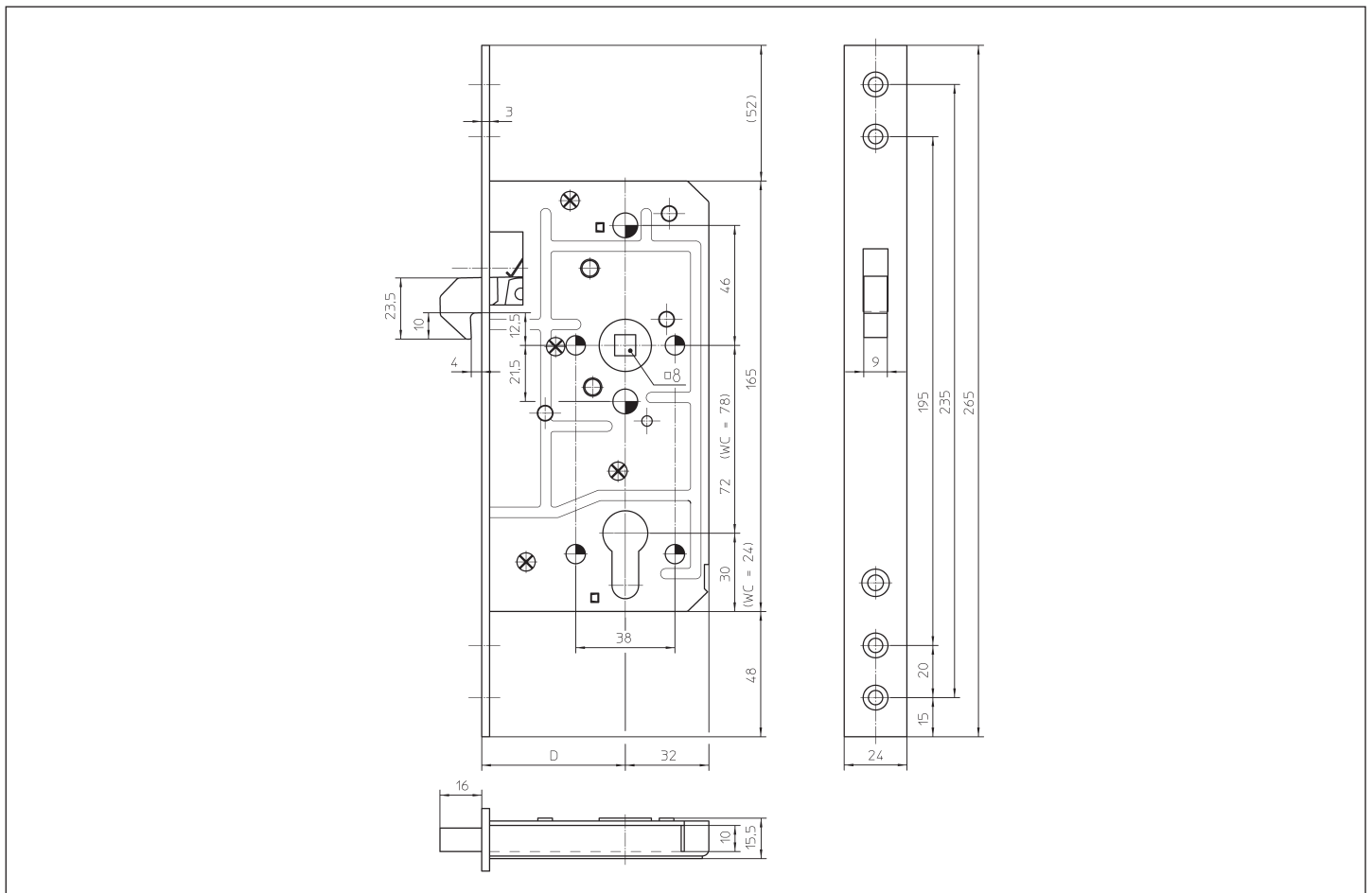


1631

Mortise sliding door lock, medium-duty version, with lifting, lockable hookbolt.

Article	For flush doors	For rebated doors	Classification according to EN 12209
1631 PZW			
1631 WC			

Version
Closed zinc-plated lock case, Bright nickel-plated hookbolt, with strong handle spring.





Locks

Sliding doors



1631 PZW

prepared for profile cylinder, with lever latch.

Backset	PZ dimension	Spindle square	Face plate width	Shield length	Rounded	Angular	Direction	Face plate surface	Striker plate	Version	Material group	Material number
55	72	8	20	265	X		R/L	GE 1356 antique silver lacquered	with		92	3383640
55	72	8	20	262	X		R/L	Brushed matt stainless steel	with		92	3212064
55	72	8	20	265		X	R/L	GE 1356 antique silver lacquered	with		92	3354289
55	72	8	24	262	X		R/L	GE 1356 antique silver lacquered	with		92	3386753
55	72	8	24	262	X		R/L	Brushed matt stainless steel	with		92	3108559
55	72	8	24	265		X	R/L	GE 1356 antique silver lacquered	with		98	3337201
55	72	8	24	265		X	R/L	Brushed matt stainless steel	with		98	3125729
60	72	8	24	262	X		R/L	Brushed matt stainless steel	with		92	3206659
60	72	8	24	265		X	R/L	Brushed matt stainless steel	with		92	3135966
65	72	8	20	265		X	R/L	GE 1356 antique silver lacquered	with		92	3354292
65	72	8	24	262	X		R/L	GE 1356 antique silver lacquered	with		92	3372377
65	72	8	24	265		X	R/L	GE 1356 antique silver lacquered	with		98	3341989
65	72	8	24	265		X	R/L	Brushed matt stainless steel	with		92	3108565



1631 WC

Version for bathrooms with 8 mm spindle square.

Backset	PZ dimension	Spindle square	Face plate width	Shield length	Rounded	Angular	Direction	Face plate surface	Striker plate	Version	Material group	Material number
55	78	8	20	262	X		R/L	GE 1356 antique silver lacquered	with		92	3364015
55	78	8	20	262	X		R/L	Brushed matt stainless steel	with		92	3153635
55	78	8	24	262	X		R/L	Brushed matt stainless steel	with		92	3159945
55	78	8	24	265		X	R/L	GE 1356 antique silver lacquered	with		98	3343129
55	78	8	24	265		X	R/L	Brushed matt stainless steel	with		98	3148913



Suitable striker plates

Article	Striker plate type				Version				
	Angle striker plate	Flanged striker	U-profile striker plate	Flat striker	Angular	Rounded	Can be used DIN LH/DIN RH	with compression lobe	with PVC backing
1631									
0631				X	X	X	X		



Locks

Sliding doors

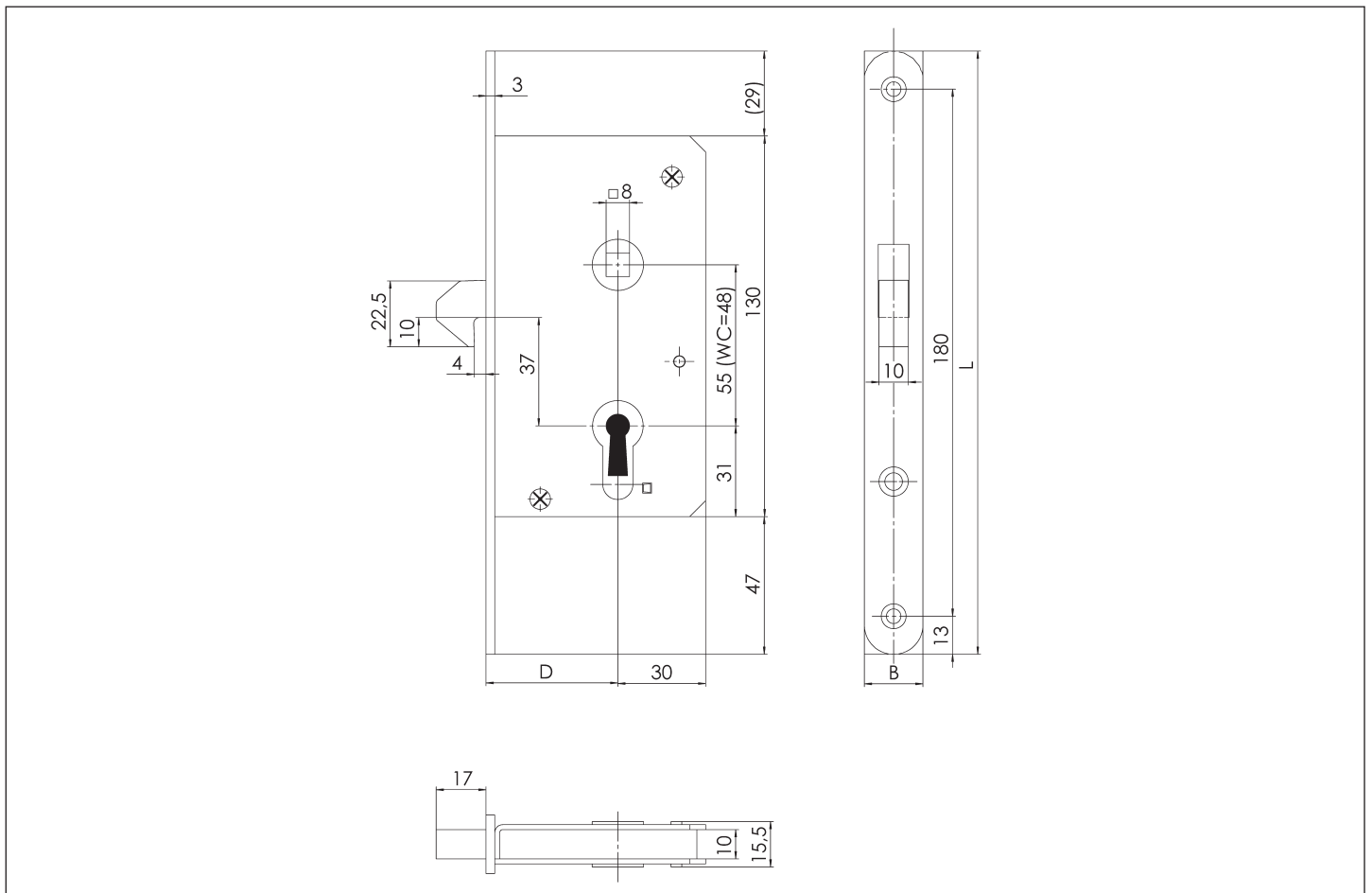
1632

Mortise sliding door lock, medium-duty version, with lifting, lockable hookbolt.



Article	For flush doors	For rebated doors	Classification according to EN 12209
1632 PZW			
1632 WC			

Version
Zinc-plated lock case, bright nickel-plated hookbolt.





1632 PZW

prepared for profile cylinder, with lever latch.

Backset	PZ dimension	Spindle square	Face plate width	Shield length	Rounded	Angular	Direction	Face plate surface	Striker plate	Version	Material group	Material number
55	55	8	20	203	X		R/L	GE 1356 antique silver lacquered	with		98	3368193
55	55	8	20	206		X	R/L	GE 1356 antique silver lacquered	with		98	3340761
55	55	8	20	206		X	R/L	Brushed matt stainless steel	with		92	3108588



1632 WC

Version for bathrooms with 8 mm spindle square.

Backset	PZ dimension	Spindle square	Face plate width	Shield length	Rounded	Angular	Direction	Face plate surface	Striker plate	Version	Material group	Material number
55	48	8	20	206	X		R/L	GE 1356 antique silver lacquered	with		92	3416598

Suitable striker plates

Article	Striker plate type				Version				
	Angle striker plate	Flanged striker	U-profile striker plate	Flat striker	Angular	Rounded	Can be used DIN LH/DIN RH	with compression lobe	with PVC backing
1632									
0631				X	X	X	X		



Locks

Radiation protective doors

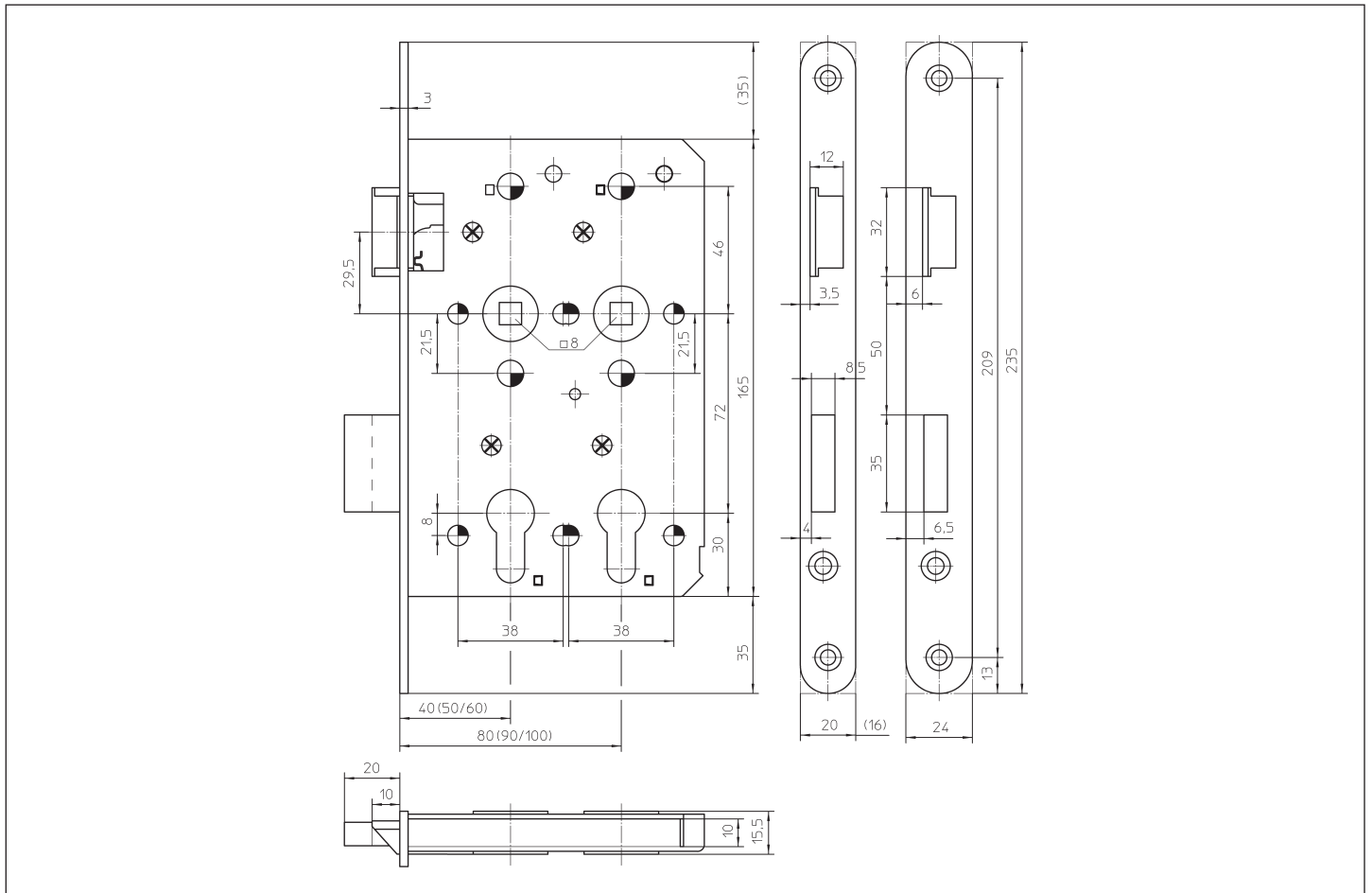
66 1/2, 66

Special mortise lock for radiation protective doors.



Article	For flush doors	For rebated doors	Classification according to EN 12209
66 1/2 PZ		X	
66 PZW	X		

Version
 Closed lock case, bright nickel-plated latch and deadbolt, with two 8 mm spindle squares.





66 1/2 PZ

prepared for profile cylinder, without lever latch, double-throw deadbolt.

Backset	PZ dimension	Spindle square	Face plate width	Shield length	Rounded	Angular	Direction	Face plate surface	Striker plate	Version	Material group	Material number
40/80	72	8	20	235	X		LS	Brushed matt stainless steel	without		92	3130456
40/80	72	8	20	235	X		RS	Brushed matt stainless steel	without		92	3130455



66 PZW

prepared for profile cylinder, with lever latch, double-throw deadbolt.

Backset	PZ dimension	Spindle square	Face plate width	Shield length	Rounded	Angular	Direction	Face plate surface	Striker plate	Version	Material group	Material number
50/90	72	8	24	235	X		LS	Brushed matt stainless steel	without		92	3466044
50/90	72	8	24	235	X		RS	Brushed matt stainless steel	without		92	3466045

Suitable striker plates

For rebated doors									
Article	Striker plate type				Version				
	Angle striker plate	Flanged striker	U-profile striker plate	Flat striker	Angular	Rounded	Can be used DIN LH/DIN RH	with compression lobe	with PVC backing
66 1/2									
1	X				X	X	X		
1-N	X				X	X	X	X	
4-3-N	X				X		X	X	
4-501-20N			X		X		X	X	X
4-501-28N			X		X		X	X	X
4-502-20N			X		X		X	X	X
4-502-28N			X		X		X	X	X
4-701N				X		X	X	X	
4F	X				X		X		X
4F-N	X				X		X	X	X

For flush doors									
Article	Striker plate type				Version				
	Angle striker plate	Flanged striker	U-profile striker plate	Flat striker	Angular	Rounded	Can be used DIN LH/DIN RH	with compression lobe	with PVC backing
66									
5		X			X	X			
5-01		X			X	X	X		
5-01-N		X				X	X		
5-N		X			X	X		X	



Locks

Rust-proof locks

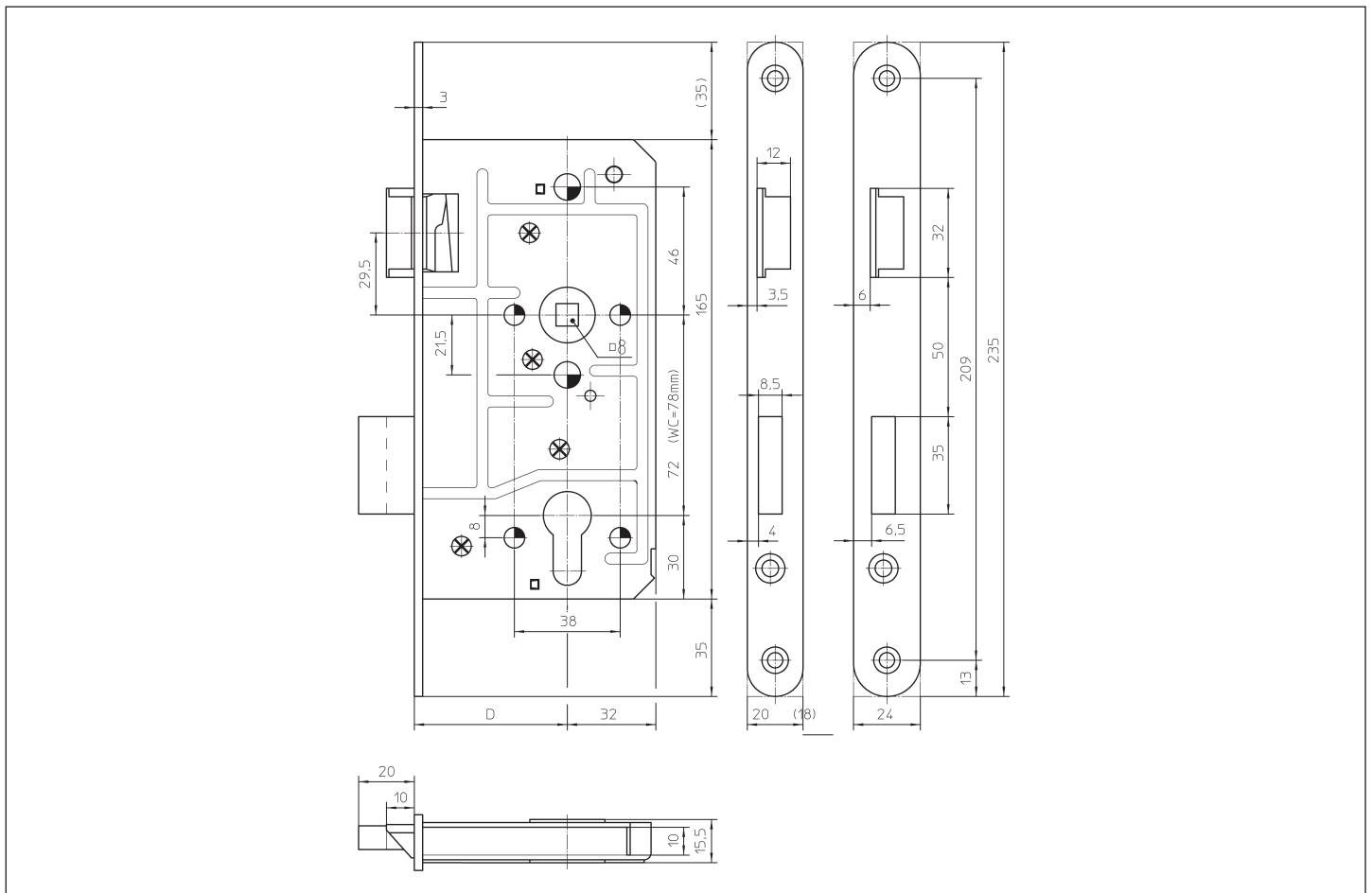
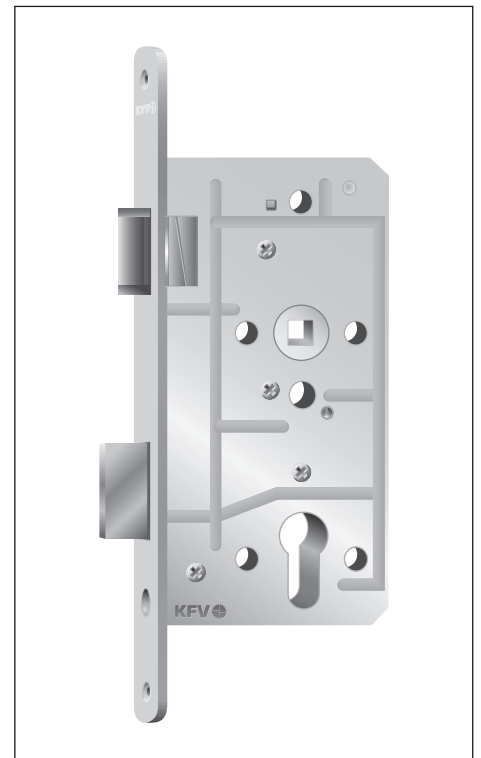
193 1/2

Special mortise lock for rust-proof locks.



Article	For flush doors	For rebated doors	Classification according to EN 12209
193 1/2 PZW	X	X	
193 1/2 WC	X	X	

Version
Brass lock case Polished nickel-plate brass latch and deadbolt, bronze springs.





193 1/2 PZW

prepared for profile cylinder, with lever latch, double-throw deadbolt.

Backset	PZ dimension	Spindle square	Face plate width	Shield length	Rounded	Angular	Direction	Face plate surface	Striker plate	Version	Material group	Material number
55	72	8	20	235	X		LS	Brushed matt stainless steel	without		98	3131599
55	72	8	20	235	X		RS	Brushed matt stainless steel	without		98	3131598

Suitable striker plates

Article	Striker plate type				Version				
	Angle striker plate	Flanged striker	U-profile striker plate	Flat striker	Angular	Rounded	Can be used DIN LH/DIN RH	with compression lobe	with PVC backing
193 1/2									
1	X				X	X	X		
1-N	X				X	X	X	X	
4-701N				X		X	X	X	

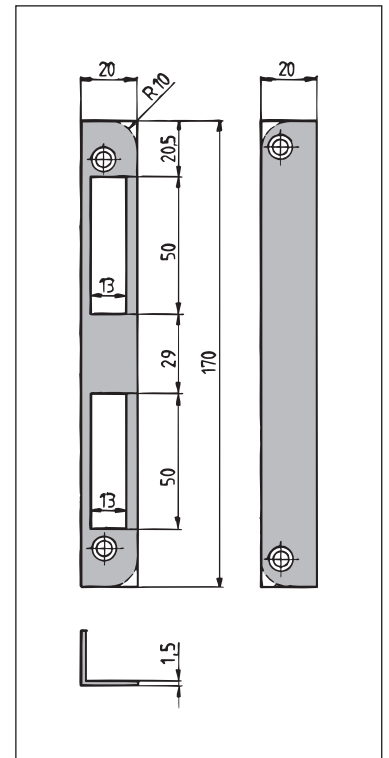


Striker plates

Striker plates for exterior and interior door locks

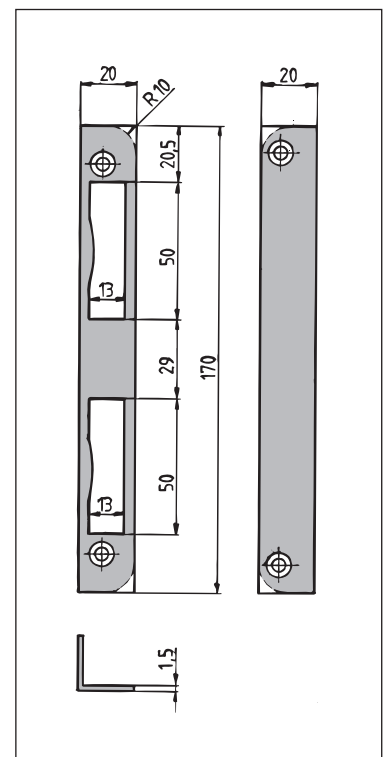
1 Angle striker plate

Length	Rounded	Angular	Direction	Surface	Version	Material group	Material number
170	X		R/L	Polished brass	With 8 mm height of locating leg	92	3100569
170	X		R/L	Brushed matt stainless steel		92	3100563
170		X	R/L	GE 1356 antique silver lacquered		98	3311740
170		X	R/L	Polished brass		92	3100571
170		X	R/L	Brushed matt stainless steel		92	3100565
170		X	R/L	White coated		92	3242483



1-N Angle striker plate

Length	Rounded	Angular	Direction	Surface	Version	Material group	Material number
170	X		R/L	GE 1356 antique silver lacquered		98	3307197
170	X		R/L	GE 1356 antique silver lacquered	With 8 mm height of locating leg	92	3402158
170	X		R/L	Polished brass		98	3100581
170	X		R/L	Brushed matt stainless steel		98	3100577
170	X		R/L	White coated		98	3243601
170		X	R/L	GE 1356 antique silver lacquered		98	3336220
170		X	R/L	GE 1356 antique silver lacquered	With 8 mm height of locating leg	92	3374079
170		X	R/L	Polished brass		92	3100583
170		X	R/L	Brushed matt stainless steel		92	3100579

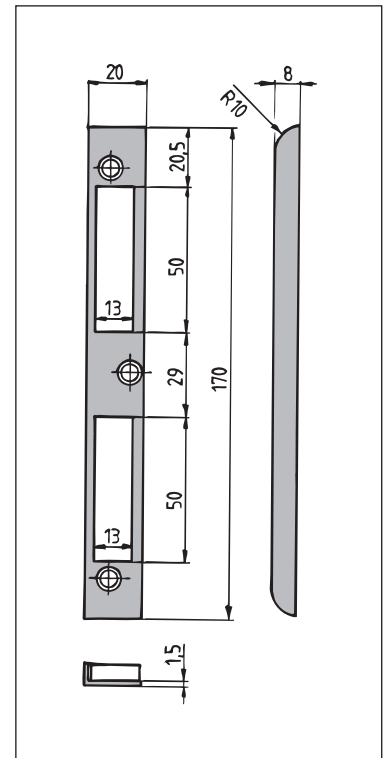




4 F

Angle striker plate

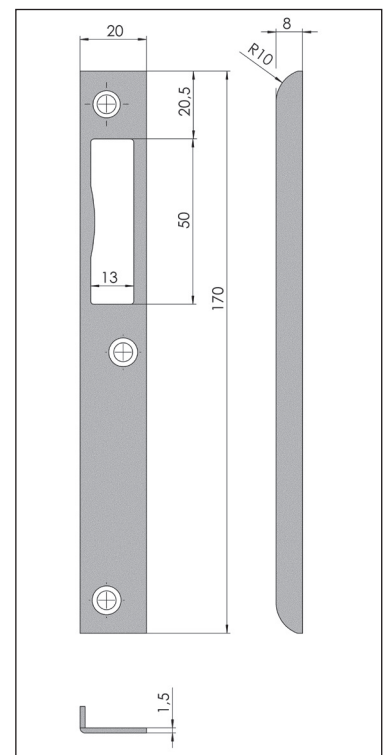
Length	Rounded	Angular	Direction	Surface	Version	Material group	Material number
170		X	R/L	GE 1356 antique silver lacquered		98	3313859
170		X	R/L	Brushed matt stainless steel		92	3116155



4F-F-N

Angle striker plate

Length	Rounded	Angular	Direction	Surface	Version	Material group	Material number
170		X	LS	GE 1356 antique silver lacquered		92	3368125
170		X	RS	GE 1356 antique silver lacquered		92	3368124
170		X	LS	Brushed matt stainless steel		92	3337480
170		X	RS	Brushed matt stainless steel		92	3337479





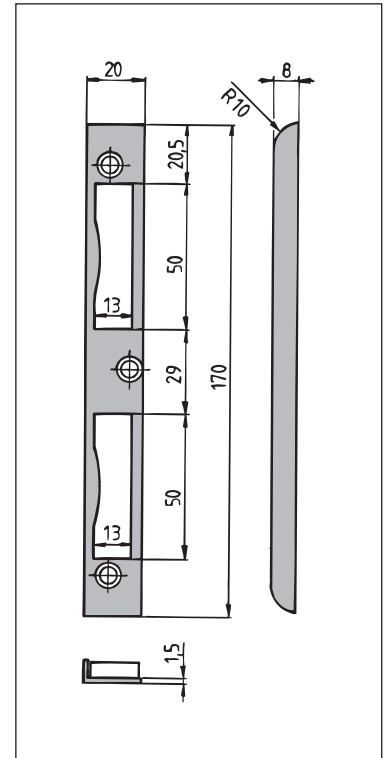
Striker plates

Striker plates for exterior and interior door locks

4F-N

Angle striker plate

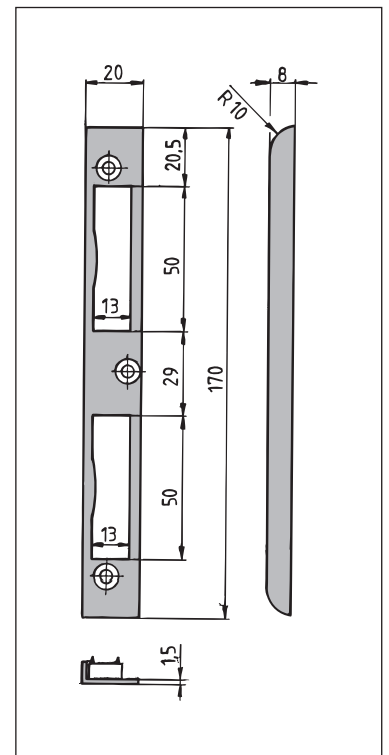
Length	Rounded	Angular	Direction	Surface	Version	Material group	Material number
170		X	R/L	GE 1356 antique silver lacquered		98	3295764
170		X	R/L	Brushed matt brass		92	3116175
170		X	R/L	Polished brass		98	3116177
170		X	R/L	Brushed matt stainless steel		98	3116173
170		X	R/L	White coated		98	3165949



4-3-N

Angle striker plate

Length	Rounded	Angular	Direction	Surface	Version	Material group	Material number
170		X	R/L	GE 1356 antique silver lacquered		92	3345751
170		X	R/L	Polished brass		92	3114177
170		X	R/L	Brushed matt stainless steel		92	3114175

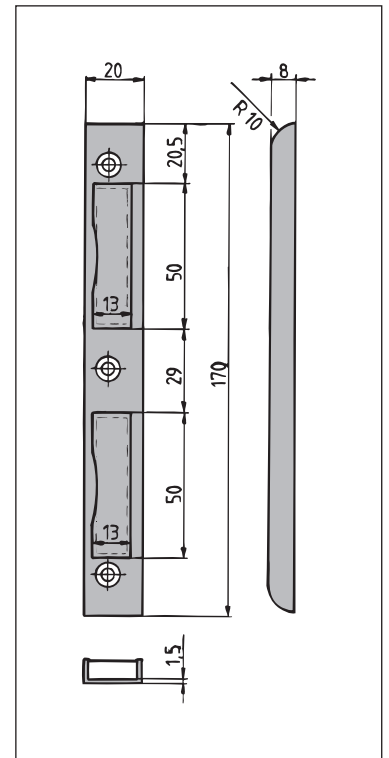




4-501-20N

U-profile striker plate

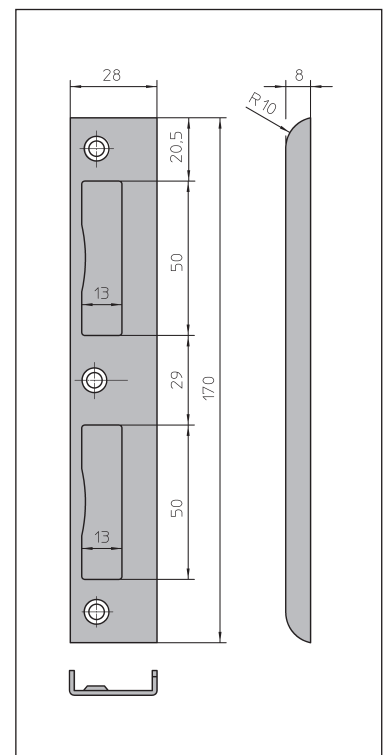
Length	Rounded	Angular	Direction	Surface	Version	Material group	Material number
170		X	R/L	GE 1356 antique silver lacquered		98	3345753
170		X	R/L	Matt nickel-plated		98	3356533
170		X	R/L	Polished brass		92	3353954
170		X	R/L	White coated		92	3359475



4-501-28N

U-profile striker plate

Length	Rounded	Angular	Direction	Surface	Version	Material group	Material number
170		X	R/L	GE 1356 antique silver lacquered		98	3345764
170		X	R/L	Matt nickel-plated		92	3354372
170		X	R/L	Polished brass		92	3371481





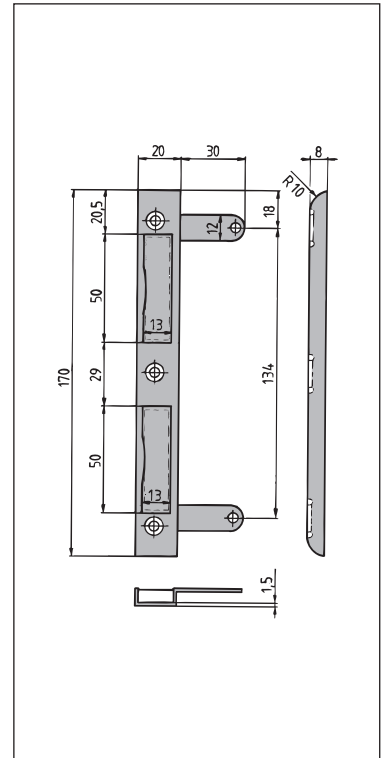
Striker plates

Striker plates for exterior and interior door locks

4-502-20N

U-profile striker plate

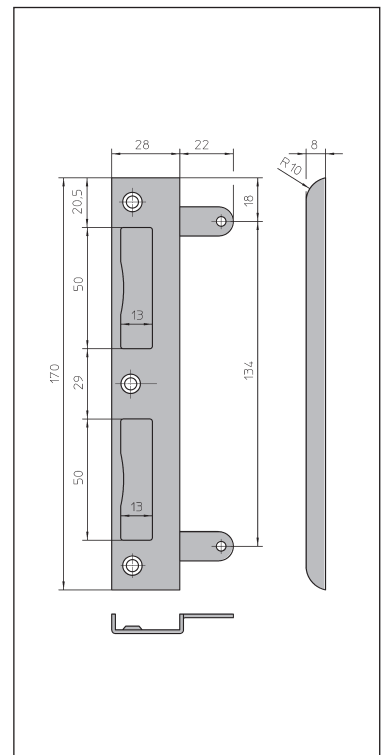
Length	Rounded	Angular	Direction	Surface	Version	Material group	Material number
170		X	R/L	GE 1356 antique silver lacquered		92	3378174
170		X	R/L	Matt nickel-plated		92	3401066



4-502-28N

U-profile striker plate

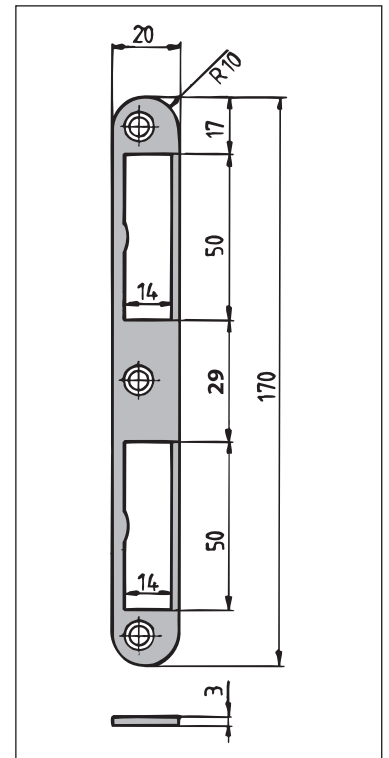
Length	Rounded	Angular	Direction	Surface	Version	Material group	Material number
170		X	R/L	GE 1356 antique silver lacquered		92	3344649





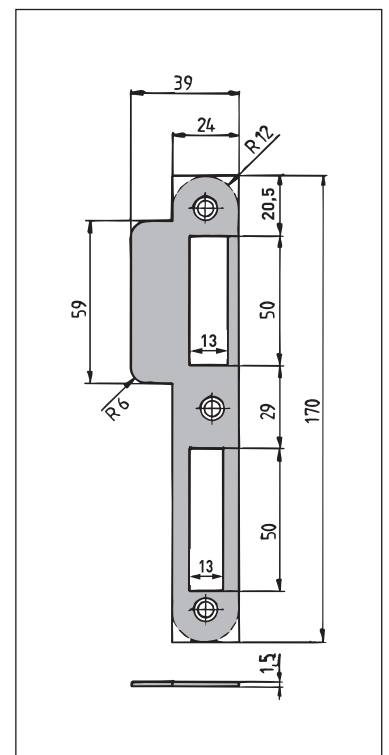
4-701N Flat striker

Length	Rounded	Angular	Direction	Surface	Version	Material group	Material number
170	X		R/L	GE 1356 antique silver lacquered		98	3393785
170	X		R/L	Polished brass		92	3419741
170	X		R/L	Brushed matt stainless steel		98	3405477



5 Flanged striker

Length	Rounded	Angular	Direction	Surface	Version	Material group	Material number
170	X		LS	GE 1356 antique silver lacquered		98	3307200
170	X		RS	GE 1356 antique silver lacquered		98	3307199
170	X		LS	Brushed matt stainless steel		98	3466881
170	X		RS	Brushed matt stainless steel		98	3466879
170		X	LS	GE 1356 antique silver lacquered		98	3466619
170		X	RS	GE 1356 antique silver lacquered		98	3466620
170		X	LS	Brushed matt stainless steel		98	3466883
170		X	RS	Brushed matt stainless steel		98	3466884





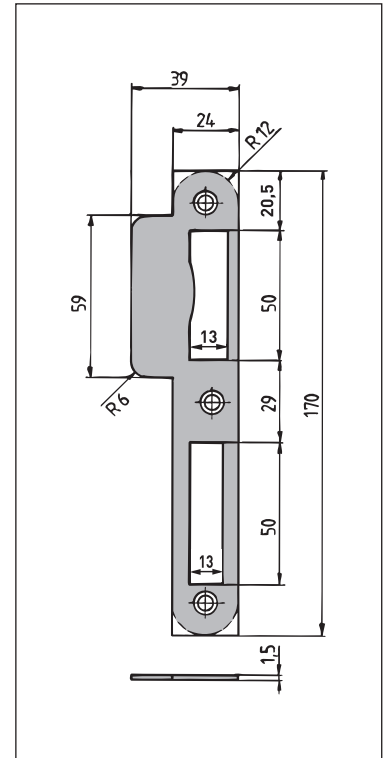
Striker plates

Striker plates for exterior and interior door locks

5-N

Flanged striker

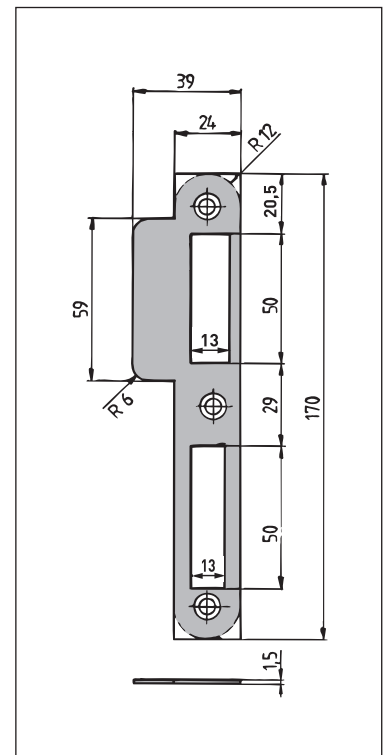
Length	Rounded	Angular	Direction	Surface	Version	Material group	Material number
170	X		LS	GE 1356 antique silver lacquered		98	3320972
170	X		RS	GE 1356 antique silver lacquered		98	3324402
170	X		LS	Polished brass		92	3145849
170	X		RS	Polished brass		92	3145848
170	X		LS	Brushed matt stainless steel		98	3116220
170	X		RS	Brushed matt stainless steel		98	3116221
170		X	LS	GE 1356 antique silver lacquered		98	3354298
170		X	RS	GE 1356 antique silver lacquered		98	3354299
170		X	LS	Polished brass		92	3230935
170		X	RS	Polished brass		92	3230936
170		X	LS	Brushed matt stainless steel		92	3145553
170		X	RS	Brushed matt stainless steel		92	3145552



5-01

Flanged striker

Length	Rounded	Angular	Direction	Surface	Version	Material group	Material number
170	X		R/L	GE 1356 antique silver lacquered		98	3344811
170	X		R/L	Brushed matt stainless steel		98	3466886
170		X	R/L	GE 1356 antique silver lacquered		98	3466970

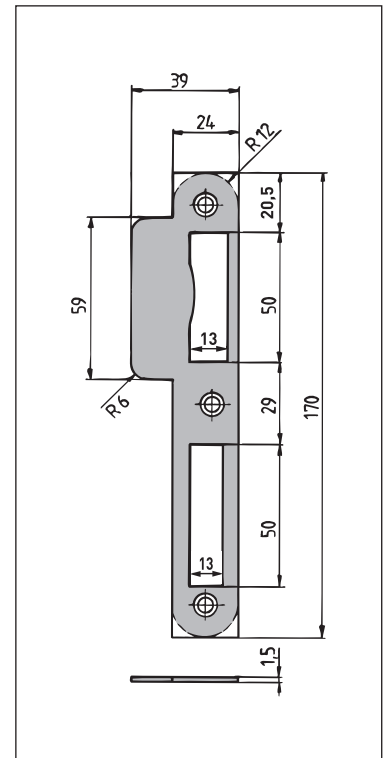




5-01-N

Flanged striker

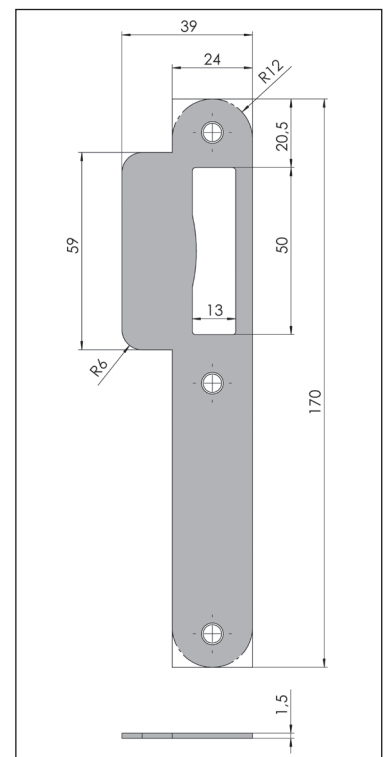
Length	Rounded	Angular	Direction	Surface	Version	Material group	Material number
170	X		R/L	GE 1356 antique silver lacquered		98	3360629
170	X		R/L	Brushed matt brass		92	3365375
170	X		R/L	Polished brass		92	3251410
170	X		R/L	Brushed matt stainless steel		92	3251718



5-01-F-N

Flanged striker

Length	Rounded	Angular	Direction	Surface	Version	Material group	Material number
170	X		R/L	Brushed matt stainless steel		92	3459348





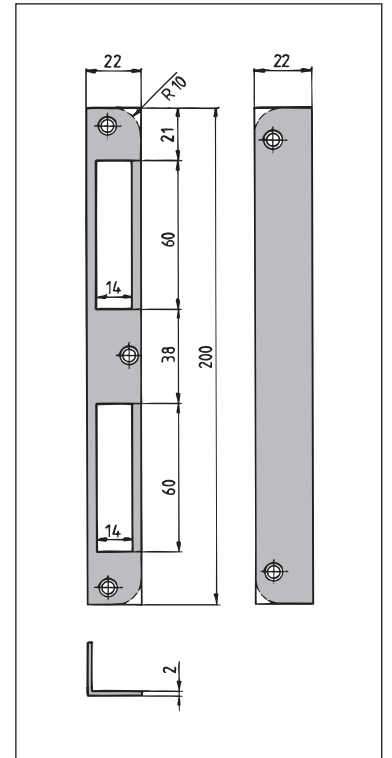
Striker plates

Striker plates for front door and deadbolt locks

6

Angle striker plate

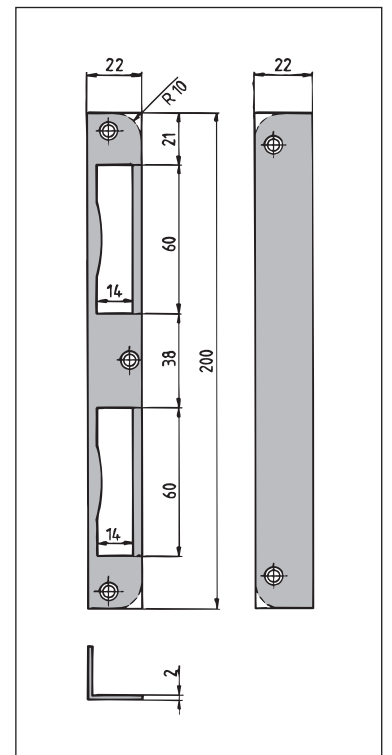
Length	Rounded	Angular	Direction	Surface	Version	Material group	Material number
200	X		R/L	GE 1356 antique silver lacquered		98	3466622
200		X	R/L	GE 1356 antique silver lacquered		98	3466623



6-N

Angle striker plate

Length	Rounded	Angular	Direction	Surface	Version	Material group	Material number
200	X		R/L	GE 1356 antique silver lacquered		98	3318806
200	X		R/L	Brushed matt stainless steel		98	3143009
200		X	R/L	GE 1356 antique silver lacquered		98	3318804
200		X	R/L	Brushed matt stainless steel		98	3154729

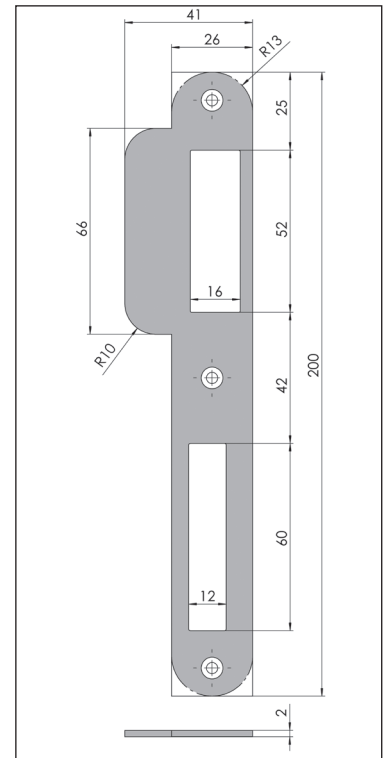




8

Flanged striker

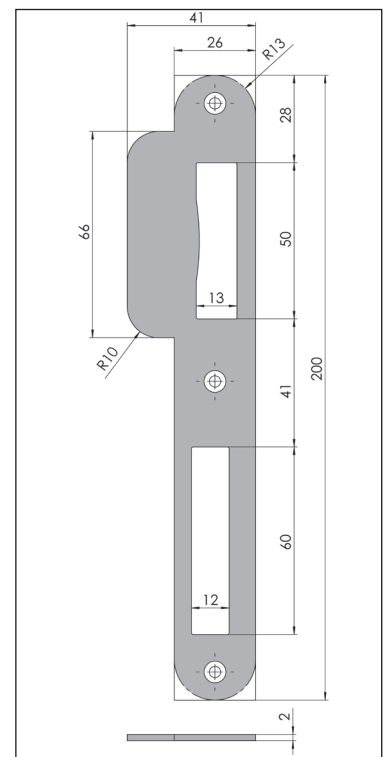
Length	Rounded	Angular	Direction	Surface	Version	Material group	Material number
200	X		LS	GE 1356 antique silver lacquered		92	3320971
200	X		RS	GE 1356 antique silver lacquered		92	3320970
200	X		LS	Brushed matt stainless steel		92	3119221
200	X		RS	Brushed matt stainless steel		92	3119223
200		X	LS	GE 1356 antique silver lacquered		98	3337422
200		X	RS	GE 1356 antique silver lacquered		98	3337423
200		X	LS	Brushed matt stainless steel		92	3119222
200		X	RS	Brushed matt stainless steel		92	3119224



8-N

Flanged striker

Length	Rounded	Angular	Direction	Surface	Version	Material group	Material number
200	X		LS	GE 1356 antique silver lacquered		92	3377415
200	X		RS	GE 1356 antique silver lacquered		92	3377414
200		X	LS	GE 1356 antique silver lacquered		92	3395589
200		X	RS	GE 1356 antique silver lacquered		92	3395645





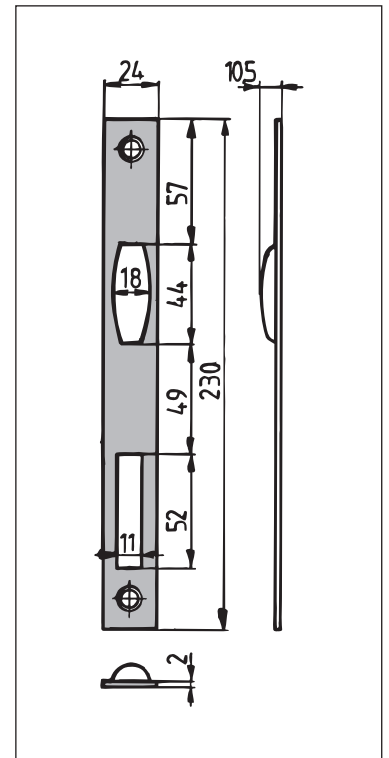
Striker plates

Striker plates for front door and deadbolt locks

188

Flat striker

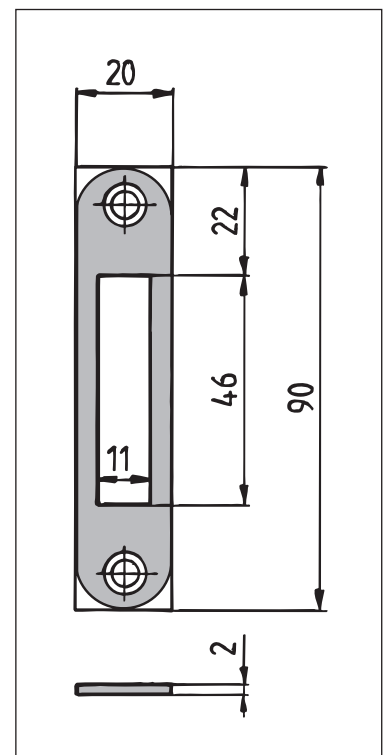
Length	Rounded	Angular	Direction	Surface	Version	Material group	Material number
230	X		R/L	galvanised		93	3258009
230	X		R/L	Brushed matt stainless steel		93	3258014
230		X	R/L	galvanised		93	3466941
230		X	R/L	Brushed matt stainless steel		93	3258008



0211

Flat striker

Length	Rounded	Angular	Direction	Surface	Version	Material group	Material number
90	X		R/L	Brushed matt stainless steel		92	3466887
90	X		R/L	GE 1356 antique silver lacquered		92	3324773
90		X	R/L	GE 1356 antique silver lacquered		92	3317799

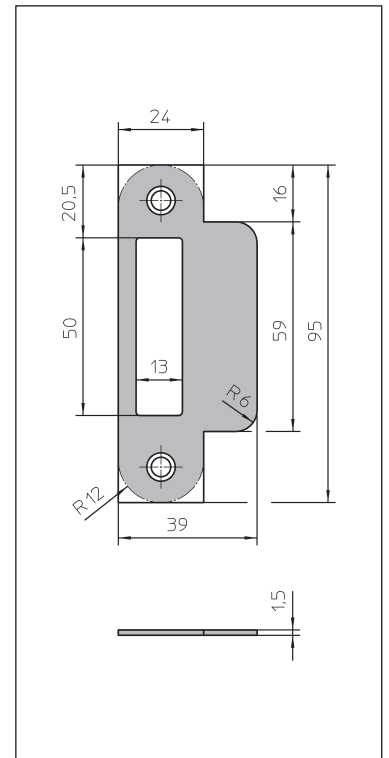




0429

Flanged striker

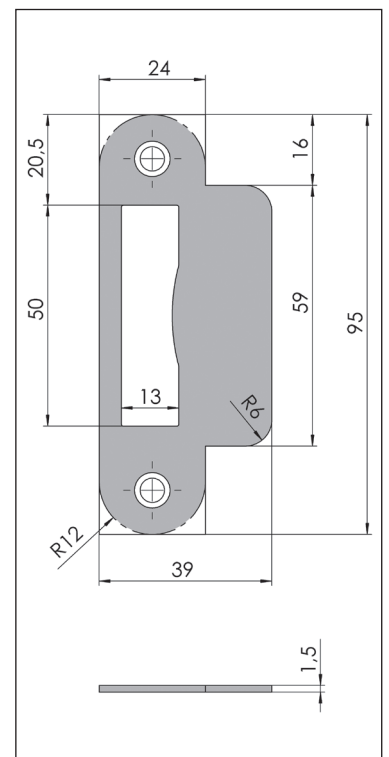
Length	Rounded	Angular	Direction	Surface	Version	Material group	Material number
95	X		R/L	GE 1356 antique silver lacquered		92	3362916
95	X		R/L	Brushed matt stainless steel		92	3235067
95		X	R/L	GE 1356 antique silver lacquered		92	3358057



0429-N

Flanged striker

Length	Rounded	Angular	Direction	Surface	Version	Material group	Material number
95	X		R/L	GE 1356 antique silver lacquered		92	3446457
95	X		R/L	Brushed matt stainless steel		92	3231870





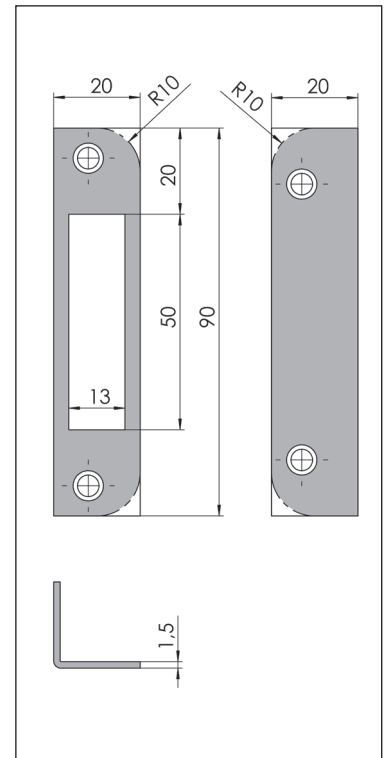
Striker plates

Striker plates for deadbolt and latch locks

0430

Angle striker plate

Length	Rounded	Angular	Direction	Surface	Version	Material group	Material number
90	X		R/L	Brushed matt stainless steel		92	3231803
90	X		R/L	GE 1356 antique silver lacquered		92	3483397
90		X	R/L	GE 1356 antique silver lacquered		92	3336214
90		X	R/L	Brushed matt stainless steel		92	3232565

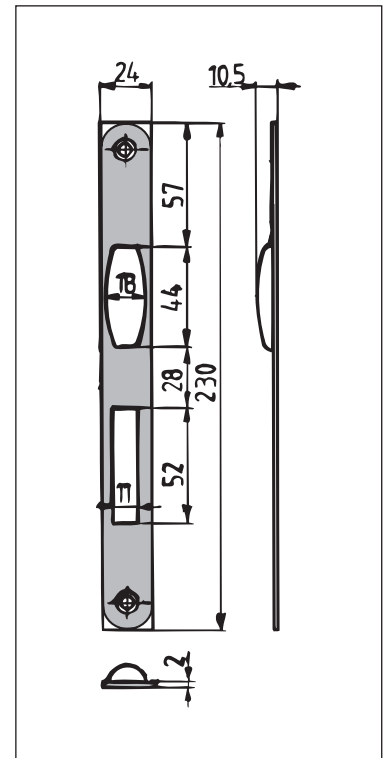




0486

Flat striker

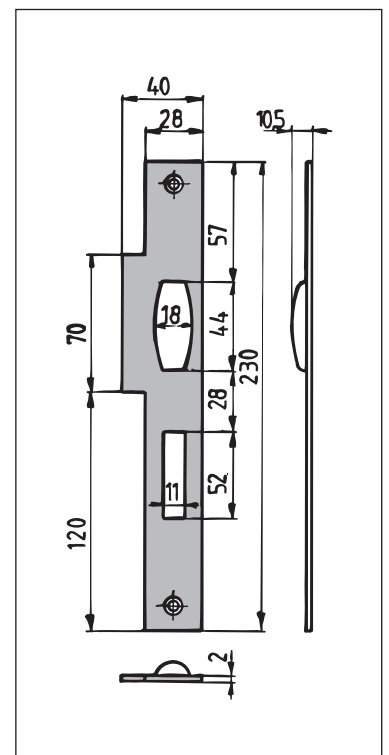
Length	Rounded	Angular	Direction	Surface	Version	Material group	Material number
230	X		R/L	Brushed matt stainless steel		92	3466944
230	X		R/L	GE 1356 antique silver lacquered		92	3483705
230		X	R/L	GE 1356 antique silver lacquered		92	3466965
230		X	R/L	Brushed matt stainless steel		92	3472598



0488

Flanged striker

Length	Rounded	Angular	Direction	Surface	Version	Material group	Material number
230	X		LS	Brushed matt stainless steel		92	3290086
230		X	LS	Brushed matt stainless steel		92	3242518
230		X	RS	Brushed matt stainless steel		92	3242517





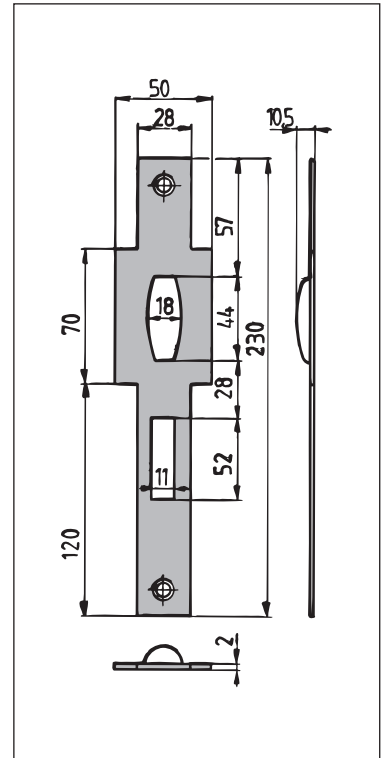
Striker plates

Striker plates for roller bolt locks

0489

Flanged striker

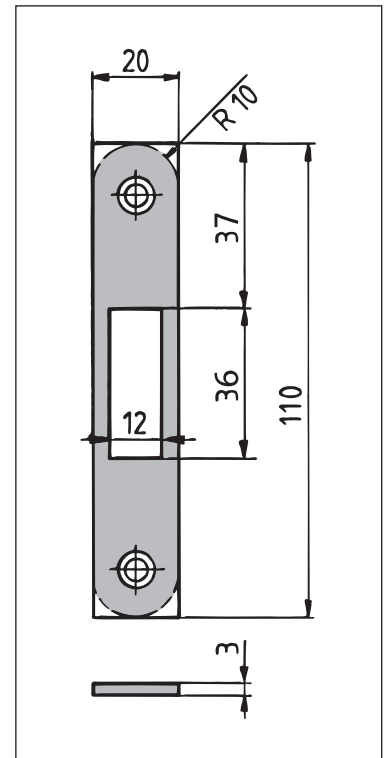
Length	Rounded	Angular	Direction	Surface	Version	Material group	Material number
230		X	R/L	Brushed matt stainless steel		92	3232831





0631 Flat striker

Length	Rounded	Angular	Direction	Surface	Version	Material group	Material number
110	X		R/L	GE 1356 antique silver lacquered		92	3469444





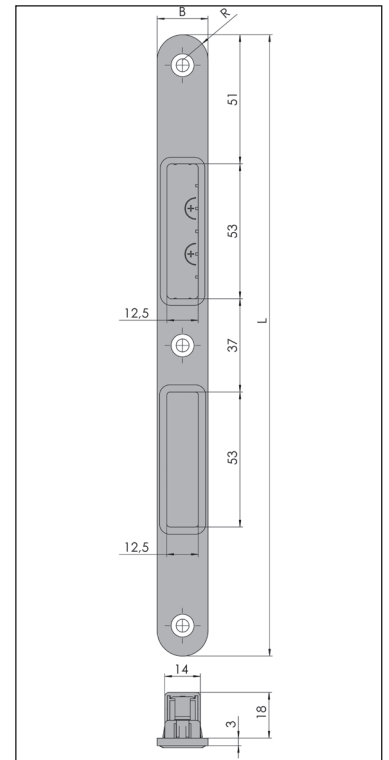
Striker plates

Striker plates for magnetic locks

116-2XX

Flat striker

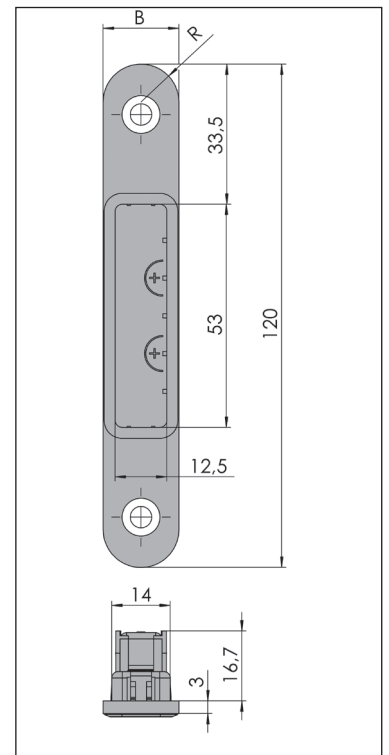
Length	Rounded	Angular	Direction	Surface	Version	Material group	Material number
200	X		R/L	Brushed matt stainless steel	B = 20 mm	98	3475204
245	X		R/L	Brushed matt stainless steel	B = 18 mm	92	3475205
245	X		R/L	Brushed matt stainless steel	B = 20 mm	92	3475206



116-120

Flat striker

Length	Rounded	Angular	Direction	Surface	Version	Material group	Material number
120	X		R/L	Brushed matt stainless steel	B = 20 mm	92	3475203

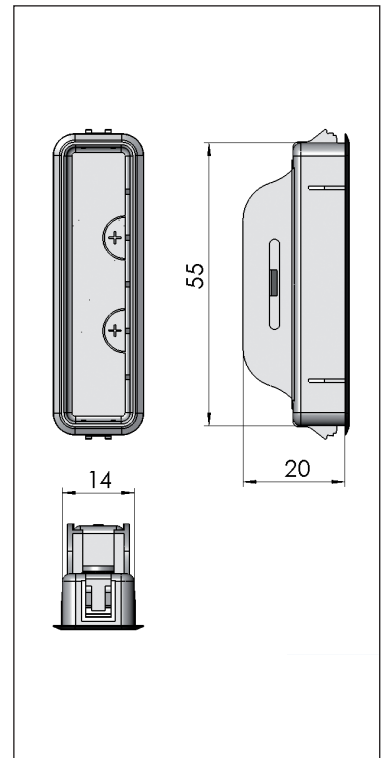




2514-116

Complete PVC backing for magnetic latch

Length	Rounded	Angular	Direction	Surface	Version	Material group	Material number
-	-	-	-	signal grey		92	3475207





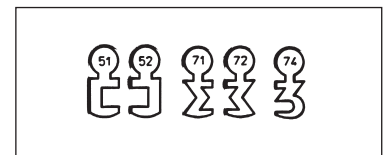
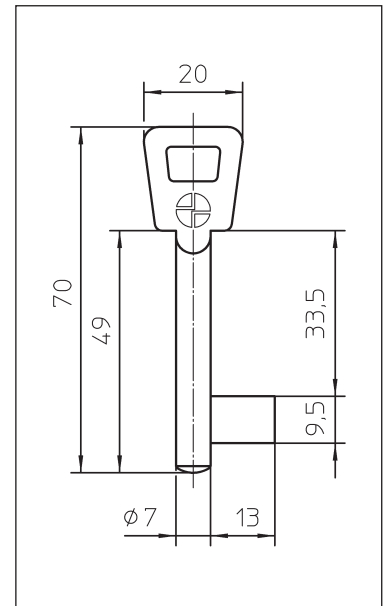
Keys

Keys

Facon 104

Keys for skeleton key locks

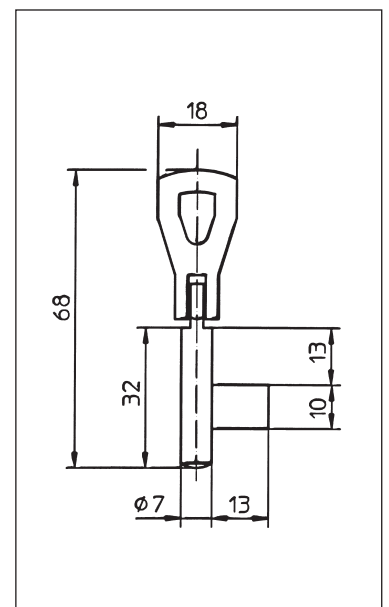
Length	Rounded	Angular	Direction	Surface	Version	Material group	Material number
-	-	-	-	-	104-70/51	92	3467017
-	-	-	-	-	104-70/52	92	3467018



Facon 18

Keys for skeleton key locks

Length	Rounded	Angular	Direction	Surface	Version	Material group	Material number
-	-	-	-	-	18-68/51	92	3130825







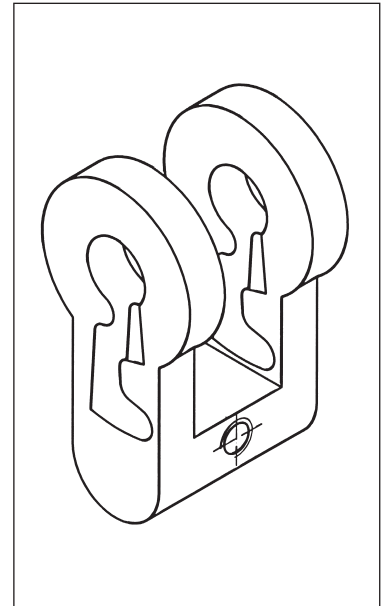
Accessories

Keys

360-2

Skeleton key lock insert for locks prepared for profile cylinders and 10 mm internal factory height, each with 2 keys of type facon 3, coving 1-8.

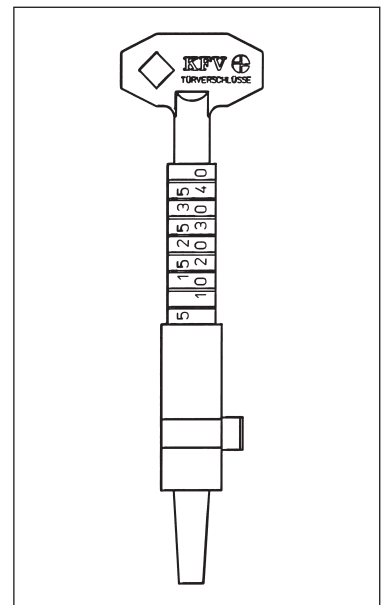
Length	Rounded	Angular	Direction	Surface	Version	Material group	Material number
-	-	-	-	-	360.2/1	92	3235252
-	-	-	-	-	360.2/2	92	3235253
-	-	-	-	-	360.2/3	92	3235254
-	-	-	-	-	360.2/4	92	3235255
-	-	-	-	-	360.2/5	92	3235256
-	-	-	-	-	360.2/6	92	3235257
-	-	-	-	-	360.2/7	92	3469332
-	-	-	-	-	360.2/8	92	3469331



900

Cylinder key gauge made of PVC

Length	Rounded	Angular	Direction	Surface	Version	Material group	Material number
-	-	-	-	-	900/X	92	3232291

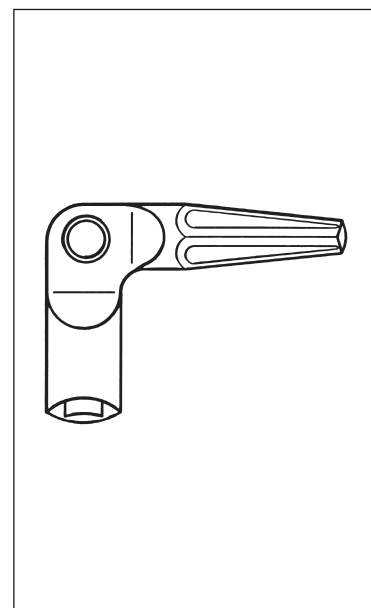




901

Angled new building key
with 8 mm square, nickel-plated.

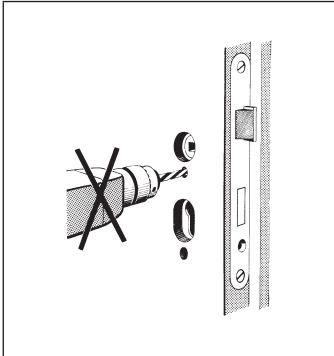
Length	Rounded	Angular	Direction	Surface	Version	Material group	Material number
-	-	-	-	-		92	3232463



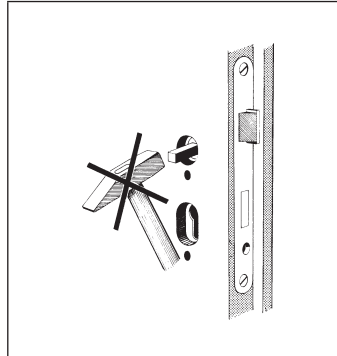


Appendix

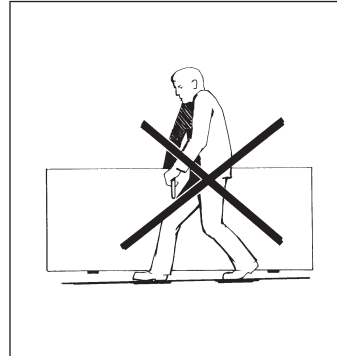
Instructions for use



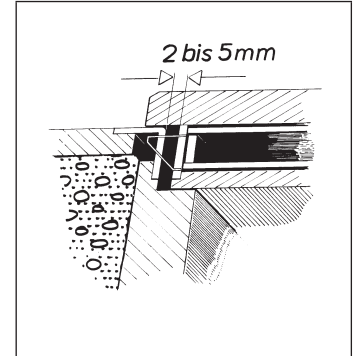
Do not drill through the door leaf in the closing area when the lock is installed.



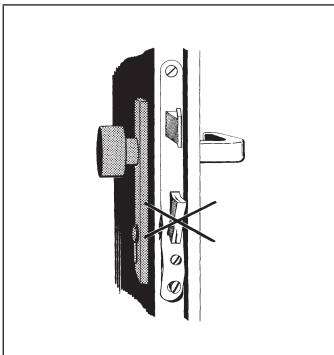
The spindle must not be hit through the lock nut with force.



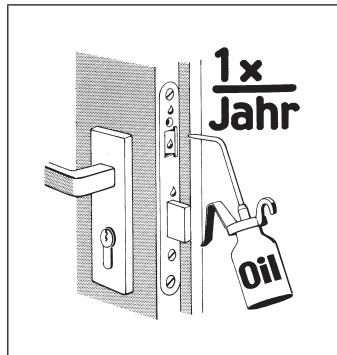
The door leaf must not be carried using the lever handle as a grip.



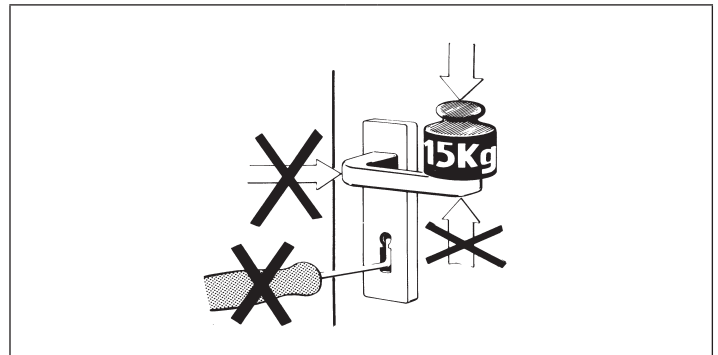
The interval between the lock faceplate and striker plate must be between 2 and 5 mm.



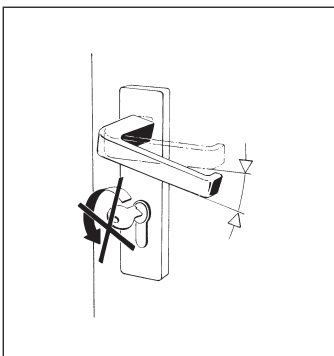
As soon as it becomes apparent that force has been used, the lock must be replaced.



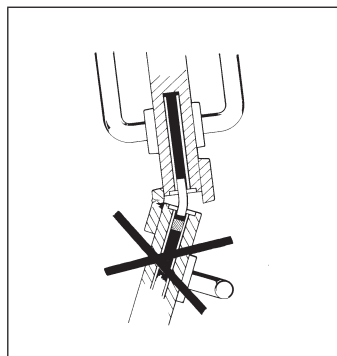
Locks must be lubricated at least once a year (non-resinous oil).



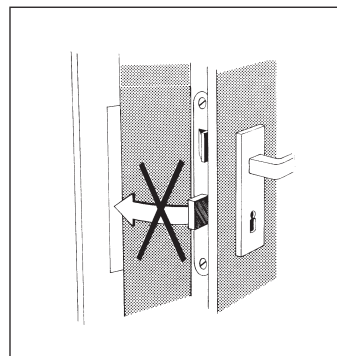
Force must be exerted on the lever handle only in the normal direction of rotation. A maximum force of 150 N may be applied to the lever handle in the direction of actuation. The lock must be locked only with the associated key (and not with foreign objects).



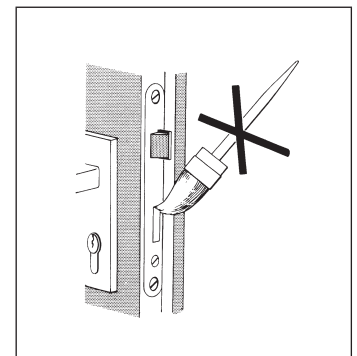
The lever handle and key must not be operated at the same time.



Double-leaf doors must not be forced open using the inactive sash.



The lock must not be locked when the door is open.



The lock deadbolt and latch must not be painted over or coated.

Maintenance instructions

The surfaces of the hardware are not maintenance-free and should be cleaned on a regular basis according to the version.

For **metallic** surfaces (stainless steel, zinc-plated, etc.), use only mild, pH-neutral cleaning agents that have been diluted. Never use aggressive, acidic cleaning or abrasive agents, since these damage the corrosion protection of the door-furniture.

Coated surfaces should only be cleaned with a solvent-free cleaning agent and a soft, lint-free cloth.



German Product Liability Law

The following information concerning locks must be observed in accordance with the liability of the producer for his products, defined in the "Product Liability Law".

Non-observation thereof shall release us from our liability obligation.

1. Product information and intended use

A lock usually has the task to lock and blockade a vertically installed door. Some simply constructed locks can only be used for locking – also known as closures. Locking is to be understood as keeping the door closed in such a way that it cannot be opened by pulling or pushing, while it can simply be opened by operating a lever handle.

Barring is understood to mean the securing of the closed door by means of an unsprung, rigid deadbolt projecting from the door lock, which engages in the corresponding recess of the frame or in the striker plate opening.

The deadbolt must be detectable in the end position, furthermore, opening the door without the pertinent key must be effectively impeded.

The latch is responsible for locking

The deadbolt is responsible for the blockading. The deadbolt is pushed by the gear. The locking mechanism (tumbler with anchoring) is responsible for the retaining in a specific position. A door may only be barred if it has already been closed (this also applies to hookbolts).

Cylinder fixing screws must be coordinated with or adapted to the length of the backstop.

A mortise lock is a lock that is inserted in an existing recess (lock pocket) in the door leaf and screwed into place and is used on swing doors as a rule.

To secure the intended use, the right combination with authorised hardware and locking mechanisms (e. g. key, cylinder) as well as accessories (e.g. striker plate) is also decisive for the assembly according to installation instructions or according to coordinated DIN standards including maintenance.

Locks for special function doors must be selected according to the directives and additionally marked if necessary.

In case of panic locks in escape and panic doors, the lever handle must not be activated simultaneously with locking or unlocking function. These locks are designed for the low frequency of activation in emergency situations in the emergency function.

The normal, desired locking (i.e. single-throw or double-throw by turning the key) or unlocking must not be substituted by continuous activation of the emergency function.

Cylinder locks (Euro profile cylinders) can only be installed in locks without reservation if these cylinder locks are subject to a dimension standards (DIN 18252) and when such locks are explicitly prepared for cylinder locks according to this standard.

Basically, cylinders should be installed in such a way that the lock pin is pointing away from the lock faceplate unless the RH / LH position of the lock pin has no influence on the position of the latch lever in the lock.

In all other cases, the producer, retailer, fabricator or consumer of such locks provide assurance that the cylinder lock he has selected is suitable for installation and for the intended use.

The mandatory legal directives must be adhered to.

Cylinder locks with free-running cam of the catch must not be installed in anti-panic mortise locks. These are, for example, cylinders in which the catch can be freely turned when the key has been withdrawn, or so-called knob cylinders.

General terms, insofar as they are not explained in catalogue sections and images, are defined in DIN 18250, DIN 18251, DIN 18252 and the hardware industrial standard. Deviations from the standard must be specified in the order.

2. Improper use

Misuse – which is the improper use of products – of locks occurs, for example, if:

- locks are used in doors made of timber, PVC, aluminium or steel and corresponding composite materials that are not vertically installed,
- by the insertion of foreign objects and/or improper objects into the lock or into the striker plate, proper use is obstructed,
- locks are installed in doors that are not permanently installed,
- an intervention or attach has been undertaken on the lock or striker plate that has resulted in a modification of the setup, the mode of operation of the function,
- the activated locking bolt is misused to hold the door open,
- the locking elements are mounted in a way that obstructs function or is subjected to post-treatment, e. g. painting,
- not intended loads, exceeding normal manual force, are applied to the lever handle connection,
- non-associated, e. g. dimensionally deviating or wrongly adjusted locking mechanisms are used,
- a widening or reduction of the required door gap occurs while readjusting the hinges or lowering the door,



Appendix

Important production information regarding door locks

- an unauthorised double-sash door is opened over the inactive sash,
- if hands are placed in the rebate between the frame and door leaf when closing doors,
- simultaneous lever handle and locking mechanism activation occurs.
- specialist retailers are advised to observe the product information and notes in the price list and especially to request all necessary instructions from us and to pass these on to fabricators,
- fabricators are advised to observe all product information and especially to request operating and service instructions from us and to pass these on to the customer and user.

3. Product performances

If the product performances are not clearly stipulated in our catalogues, brochures, descriptions of performance etc. modifications on individual locks must be coordinated with us.

The directives for this are the industrial standards DIN 18250, DIN 18251, DIN 18252, DIN 18257 and the existing hardware standard.

The basic requirements and the additional requirements that must be met by locks are defined in these standards. The contents of the standard can also be correspondingly applied to other locks.

The durability of locks depends on the frequency of operation, mode of operation, environmental impacts and maintenance.

Replace cylinder locks and keys as soon as there are problems inserting and removing the key despite regular lubrication.

4. Product maintenance

Locks must be lubricated at least once a year with a suitable lubricant and sometimes more frequently, according to the strain. Check and ensure that the cylinder, hardware and striker plate are properly seated in this connection.

Cleaning and care agents used must not contain any corrosive components.

5. Information and instruction obligations

For the fulfilment of the information and instruction obligations in accordance with the Product Liability Act, the following documents and services are available to specialist retailers, locksmith services, architects, planners, fabricators or users on request:

- Catalogues, brochures
- Tender specifications, tender documents, locking plans
- DIN 18250, DIN 18251, DIN 18252, DIN 18257 (exclusive sale by Beuth Verlag GmbH, Berlin),
- Instructions for installation, operation and maintenance,
- advice from us or by our field service.

For the selection of locks as well as advice concerning the installation, operation and maintenance:

- architects and planners are advised to request all necessary product information from us and to observe this information,

www.siegenia.com



SIEGENIA[®]
brings spaces to life